

## M12 SERIES CONNECTORS

# M12

Series product description

Stock Code: 300351



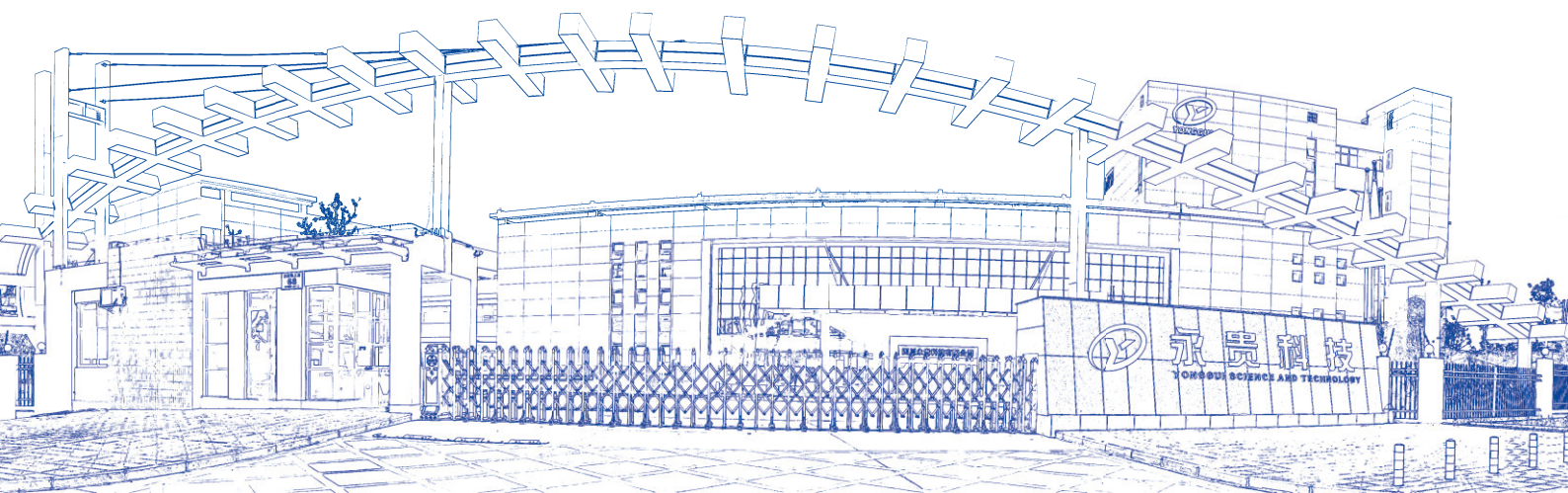
SICHUAN YONGGUI SCIENCE AND TECHNOLOGY CO., LTD

Focus on customers to maximize value

CORPORATE VISION

---

**World class interconnect supplier**

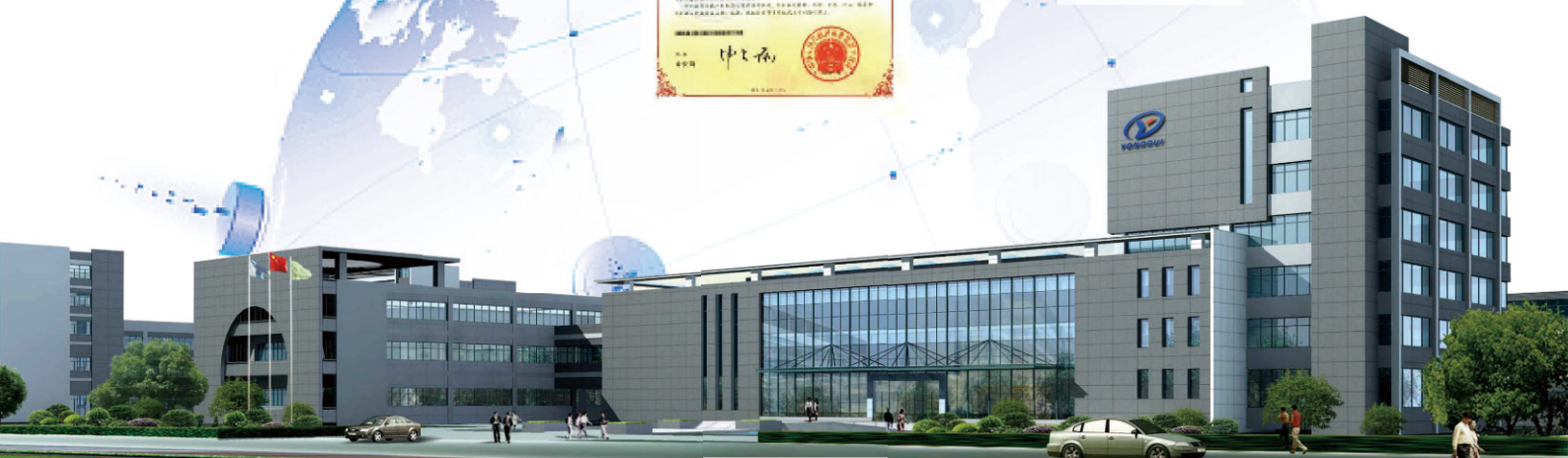


# COMPANY PROFILE

## Overall Introduction

Zhejiang Yonggui Electric Co., Ltd. is a national high-tech enterprise focusing on the development, manufacturing, sales and technical support of all kinds of electrical connectors, connector components and precision intelligent products. It was listed in Shenzhen Stock Exchange in 2012 (stock code: 300351). The company's rail transit connector production and sales accounted for the first domestic rail transit connector market share, supporting the supply of CRRC Group, 18 railway bureaus and cities with rail transit; Yonggui has entered the supply chain system of Huawei, Siemens (China), Alstom, Mitsubishi, Hitachi, Toyo, GE (China), Chery, BYD, JAC, Yutong and other brands. The company is headquartered in Tiantai, Zhejiang Province, currently has 3 wholly-owned subsidiaries, 4 holding subsidiaries, in Zhejiang headquarters, Sichuan Mianyang, Beijing, Shenzhen, Jiangsu, Chongqing have set up production bases and R & D centers, the company also with Tsinghua University, Zhejiang University, Academy of Railway Science and other universities established industry-university-research cooperation. The company's products have obtained 449 national patent authorization, has passed the ISO9001 certification, ISO/TS22163 certification, CRCC certification, ETL certification, UL and other quality systems and products quality certification.

Sichuan Yonggui Technology Co., Ltd. was established in March 2008, with a registered capital of 100 million yuan and a total asset value of 1.12 billion yuan. It is owned by Zhejiang Yonggui Electric Appliance Co., LTD. (Stock code: 300351), a wholly owned subsidiary. The company covers an area of more than 180 mu, factory and office area of more than 180,000 square meters; Among them, the built-up area covers more than 110,000 square meters; The second phase of the project under construction is more than 58 mu, with a construction area of more than 70,000 square meters; With all kinds of R & D, production equipment more than 4500 sets (sets), is a national high-tech enterprises, national intellectual property demonstration enterprises, national specialized special new "Small-Size Giant Enterprise", national green factory, with independent core technology, for the national key equipment industry to provide reliable connector series products and technical services, A specialized product company that provides total solutions for interconnected systems.



# BUSINESS FIELD

## Domains



Railway: Highspeed, Metro, Locomotive, Maglev  
Industry: Windpower, Solar, Equipment, Medical



Automotive: NE Passenger, Commercial, Special Vehicle  
Charging: Pile, Outdoor, Hi-Power with Cooling, Battery Exchange

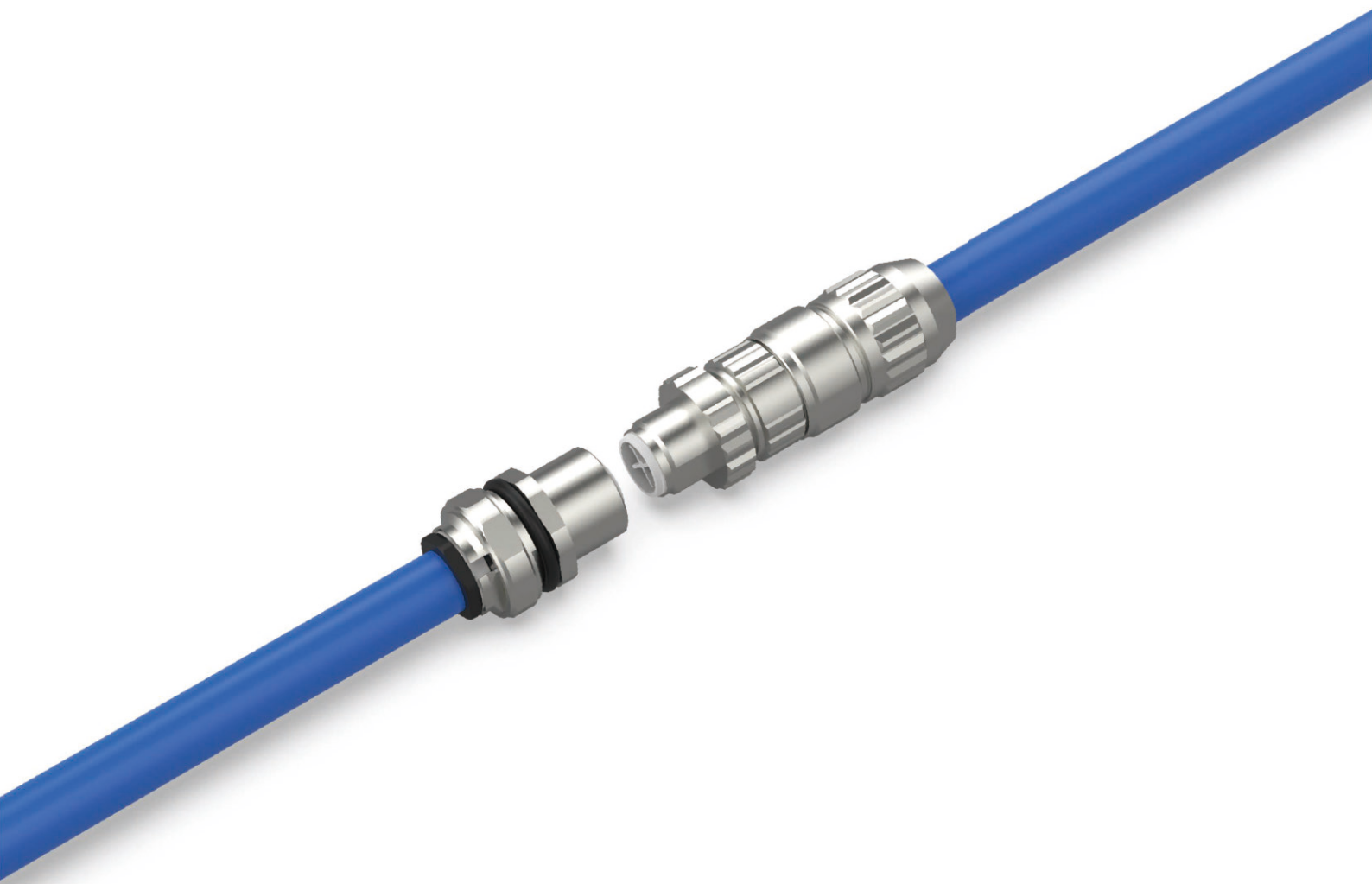


Defense: Aerospace, Space, Electronic, Ship  
Special: Explosion-Proof, Deep Water, Nuclear Power, Shore Power, Aircraft



Communication: Base Station, Database, Energy Module  
Energy Storage: Motor and Household, Power System, Industrial Energy Storage





# CONTENTS

---

## M12 SERIES CONNECTOR

---

---

● Overall Introduction.....	1
● Datasheet.....	2
● Type Name.....	3
● Mating Layouts.....	4
● M12-Acode.....	5
● M12-Dcode.....	16
● M12-Xcode.....	28
● M12-Scode.....	34
● Contact (Separately Ordered).....	37
● Accessory.....	39

## M12 Seires Connector

### ● Overall Introduction

M12 series connector is a connection thread for M12 connector collectively, product spectrum in line with IEC61076-2 standards, it is an international common electrical connector. M12 series connectors have good electrical performance, electromagnetic compatibility and Environmental resistance, with a variety of termination forms and flexible installation methods, its convenient cable assembly and disassembly structure is widely used

It is mainly used for power supply and network signal transmission between automatic electrical control systems of rail transit and industrial equipment.



### ● Type

● M12-Acode	Benefit	Page
	Power supply and gigabit network signal transmission, rated voltage is less than 250V, current range covers 1A~4A	Relevant content in P5-15
● M12-Dcode	Benefit	Page
	Hundred-megabit network signal transmission, rated voltage 250V, current 4A	Relevant content in P16-27
● M12-Xcode	Benefit	Page
	10-gigabit network signal transmission	Relevant content in P28-33
● M12-Scode	Benefit	Page
	Power supply, control connection, rated voltage 630V, current 12A	Relevant content in P34-36

## M12 Series-Datasheet

## 【Electric】

Code	A-code	A-code	A-code	A-code	D-code	X-code	S-code
Circuits	4	5	8	12	4	8	4
Contact Size (mm)	Φ1	Φ1	Φ0.8	Φ0.6	Φ1	Φ0.6	Φ1.5
Rated Voltage (V) AC/DC	250	60	30	30	250	48	630
Rated Current (A)	4	4	2	1	4	0.5	12
Isolation Resistance (MΩ)	≥100	≥100	≥100	≥100	≥100	≥100	≥100
High Voltage (V) AC	1400	1000	650	500	1400	650	3310
Contamination Level	3	3	3	3	3	3	3
Contact Resistance (mΩ)	≤5	≤5	≤8	≤10	≤5	≤10	≤2.5
Network Transfer Speed (Mbps)	100	/	1000	/	100	10000	/

## 【Mechanical】

编码	A-code	A-code	A-code	A-code	D-code	X-code	S-code
Circuits:	4	5	8	12	4	8	4
Connection Type:	spiral pattern M12×1						
Contact Tail:	Crimping	Crimping	Crimping	Soldering	Crimping	Crimping	Crimping
	Soldering	Soldering	Soldering	to Wire	Soldering	Soldering	
Wire Size (mm <sup>2</sup> ):	0.12 ~ 1.0	0.12 ~ 1.0	0.12 ~ 0.5	0.12 ~ 0.34	0.12 ~ 1.0	0.12 ~ 0.34	0.12 ~ 2.5
Wire Size (AWG):	AWG26 ~ 17	AWG26 ~ 17	AWG26 ~ 20	AWG26 ~ 22	AWG26 ~ 17	AWG26 ~ 22	AWG26 ~ 14
Cable Diameter(mm):	Φ5 ~ Φ9.5	Φ5 ~ Φ9.5	Φ5 ~ Φ9.5	Φ5 ~ Φ9.5	Φ5 ~ Φ9.5	Φ5 ~ Φ8.7	Φ5 ~ Φ9.5
Life Cycles:	≥100	≥100	≥100	≥100	≥100	≥100	≥100
Vibration & Mechanical Shock:	GB/T 21563 1类B级						

## 【Environmental】

Code	A-code	A-code	A-code	A-code	D-code	X-code	S-code
Circuits	4	5	8	12	4	8	4
Working Temperature	-40°C ~ +125°C						
Humidity Range	5% ~ 95%						
IP Level	IP67 (Mated and Assembled)						

## 【Material】

Code	A-code	A-code	A-code	A-code	D-code	X-code	S-code
Circuits	4	5	8	12	4	8	4
Contact Material	Copper Alloy						
Contact Surface Treatment	Gold Plating						
Isolation Material	PA	PA	PA	PA	PA/LCP	LCP	PA
Shell Material	Zinc Alloy/Copper Alloy						
Shell Surface Treatment	Ni plating						
Sealing Material	Silicone						

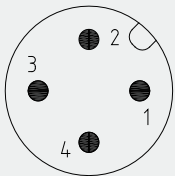


## M12 Seires-Type Name

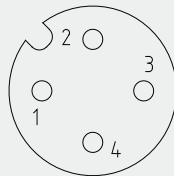
	YGC	-M12	A	1	-P	4	R	WQ	1	-3.0
① Manufacturer (YONGGUI)										
② Main Code										
③ Code Type:										
A: A-code										
B: B-code										
D: D-code										
X: X-code										
S: S-code										
④ Series:										
Null=YG175 or YG971										
1= YG1370										
⑤ ContactType:										
P: Pin										
S: Receptacle										
⑥ Circuite:										
4、5、8、12										
⑦ Type:										
P=Plug										
R=Socket										
⑧ Contact Tail:										
Null (XX) : Straight Wire Crimping										
L(XX): Right Angle Wire Cimping										
(XX): MAX. Cable Dimeter, (Φ8.3)										
B: Wire Board Soldering (Back Panel);										
BQ: Straight Board Soldering (Front Panel);										
W: R/A Board Soldering(Back Panel) ;										
WQ: R/A Board Soldering (Front Panel);										
D: Prefabricated Cable ( Back Panel) ;										
DQ: Prefabricated Cable ( Front Panel) ;										
⑨ Extension:										
1、2、3...										
⑩ Cable Length										

**M12 Series-Spectrum arrangement****Type spectrum arrangement (From the end of the pin insulator)**

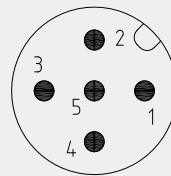
A-code, The spectrum conforms to IEC 61076-2-101



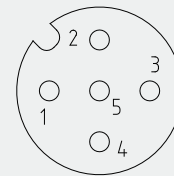
4-core pin



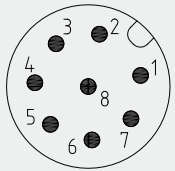
4-core hole



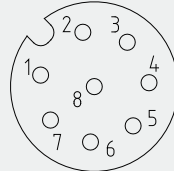
5-core pin



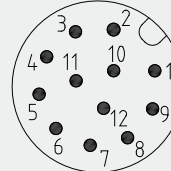
5-core hole



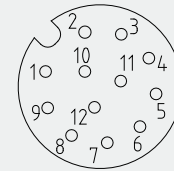
8-core pin



8-core hole

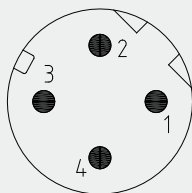


12-core pin

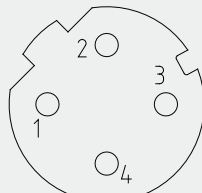


12-core hole

D-code, The spectrum conforms to IEC 61076-2-101

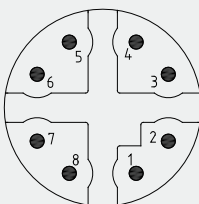


4-core pin

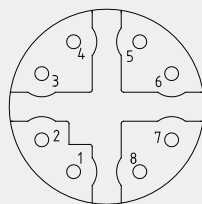


4-core hole

X-code, The spectrum conforms to IEC 61076-2-109

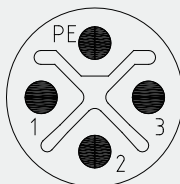


8-core pin



8-core hole

S-code, The spectrum conforms to IEC 61076-2-111



4-core pin



4-core hole

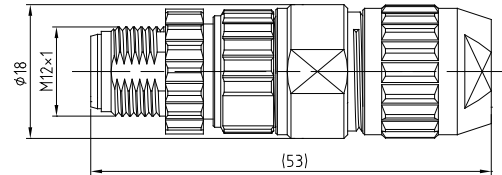
# M12 Series Connector-**Acode**



- M12 series connector
- A connector whose connection thread is M12 is collectively referred to;
- The product profile conforms to IEC61076-2 standard;
- An electrical connector commonly used in the world;
- It has good electrical performance, electromagnetic compatibility and environmental resistance;
- It has a variety of termination forms and flexible installation methods;
- The structure of cable assembly and disassembly is fast and efficient;
- It is mainly used for power supply and network signal transmission between automatic electrical control systems of rail transit and industrial equipment;
- M12-Acode Series connector
- Mainly used for power supply and gigabit network signal transmission, rated voltage is less than 250V, current range covers 1A~4A

**M12 Series-Acode****Straight moving end male end**

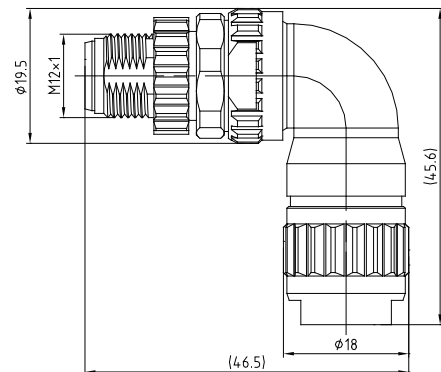
- Pin
- Cold weld
- With shielding



Core No.	Part NO.	Order No.	Cable O.D. (mm)	Remark
4	YGC-M12A1-P4P(8.3)	112040105461	$\phi 5 \sim \phi 8.3$	Pins purchased separately
4	YGC-M12A1-P4P(9.5)	112030106049	$\phi 7.5 \sim \phi 9.5$	Pins purchased separately
5	YGC-M12A1-P5P(8.3)	112030106097	$\phi 5 \sim \phi 8.3$	Pins purchased separately
8	YGC-M12A1-P8P(8.3)	112040105459	$\phi 5 \sim \phi 8.3$	Pins purchased separately
8	YGC-M12A1-P8P(9.5)	112030106051	$\phi 7.5 \sim \phi 9.5$	Pins purchased separately
12	YGC-M12A-P12RH	112040104221	$\phi 5 \sim \phi 8.3$	weld line

**Curved moving end male head**

- Pin
- Cold weld
- With shielding



Core No.	Part NO.	Order No.	Cable O.D. (mm)	Remark
4	YGC-M12A1-P4PL(8.3)	112030106736	$\phi 5 \sim \phi 8.3$	Pins purchased separately
5	YGC-M12A1-P5PL(8.3)	112030106107	$\phi 5 \sim \phi 8.3$	Pins purchased separately
8	YGC-M12A1-P8PL(8.3)	112030106738	$\phi 5 \sim \phi 8.3$	Pins purchased separately

Remark: Please refer to P37-P38 for individual contact information

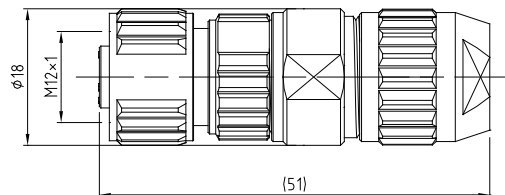


## M12 Series-Acode

### Straight mobile female end

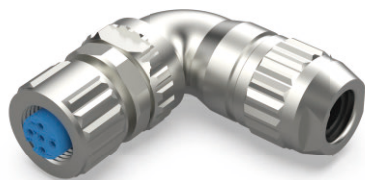


- socket
- Cold weld
- With shielding

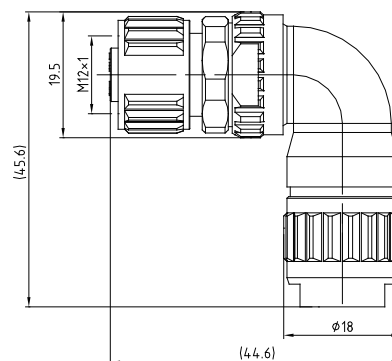


Core No.	Part NO.	Order No.	Cable O.D. (mm)	Remark
4	YGC-M12A1-S4P(8.3)	112030105445	$\Phi 5 \sim \Phi 8.3$	Jacks purchased separately
4	YGC-M12A1-S4P(9.5)	112030106050	$\Phi 7.5 \sim \Phi 9.5$	Jacks purchased separately
5	YGC-M12A1-S5P(8.3)	112030106098	$\Phi 5 \sim \Phi 8.3$	Jacks purchased separately
8	YGC-M12A1-S8P(8.3)	112030105443	$\Phi 5 \sim \Phi 8.3$	Jacks purchased separately
8	YGC-M12A1-S8P(9.5)	112030106052	$\Phi 7.5 \sim \Phi 9.5$	Jacks purchased separately

### Bent mobile female end

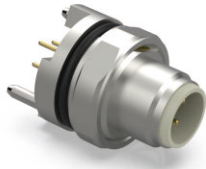


- socket
- Cold weld
- With shielding

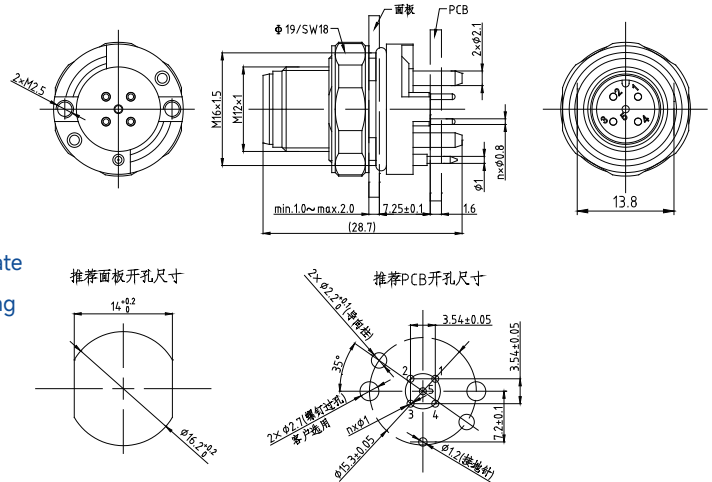


Core No.	Part NO.	Order No.	Cable O.D. (mm)	Remark
4	YGC-M12A1-S4PL(8.3)	112030106737	$\Phi 5 \sim \Phi 8.3$	Jacks purchased separately
5	YGC-M12A1-S5PL(8.3)	112030106108	$\Phi 5 \sim \Phi 8.3$	Jacks purchased separately
8	YGC-M12A1-S8PL(8.3)	112030106739	$\Phi 5 \sim \Phi 8.3$	Jacks purchased separately

Note: Information on separately procured contacts is in P37-P38.

**M12 Series-Acode****Straight welded plate fixed end male seat**

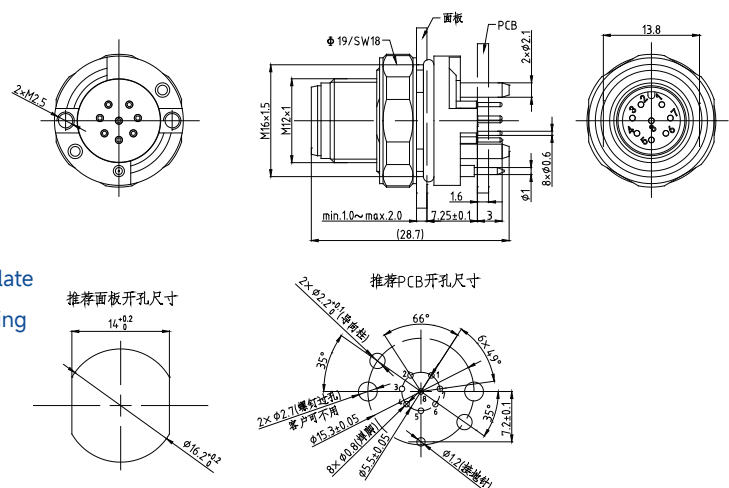
- Pin
- Straight welded plate
- Backboard mounting
- With ground pin



Core No.	Part NO.	Order No.	Remark
4	YGC-M12A-P4RB	112040104750	
5	YGC-M12A-P5RB	111000501583	

**Straight welded plate fixed end male seat**

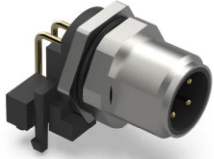
- Pin
- Straight welded plate
- Backboard mounting
- With ground pin



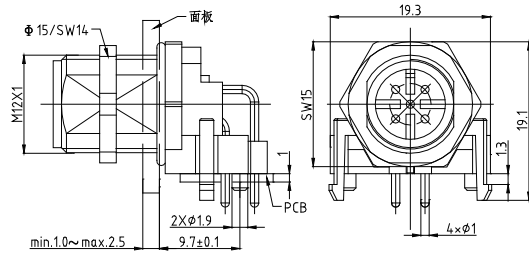
Core No.	Part NO.	Order No.	Remark
8	YGC-M12A-P8RB	112040103050	

## M12 Series-Acode

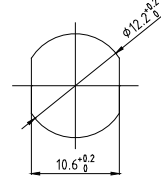
### Bent welding plate fixed end male seat



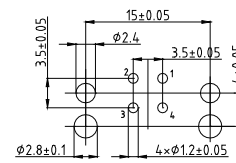
- Pin
- Bent welded plate
- Backboard mounting



推荐面板开孔尺寸

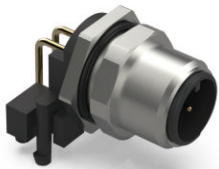


推荐PCB开孔尺寸

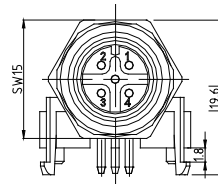
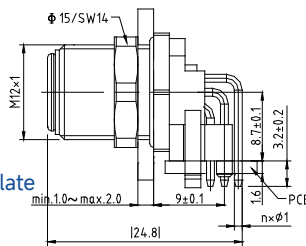


Core No.	Part NO.	Order No.	Remark
4	YGC-M12-P4RWAXA	111000501198	

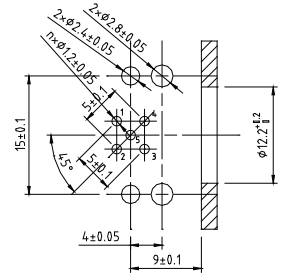
### Bent welding plate fixed end male seat



- Pin
- Bent welded plate
- Backboard mounting



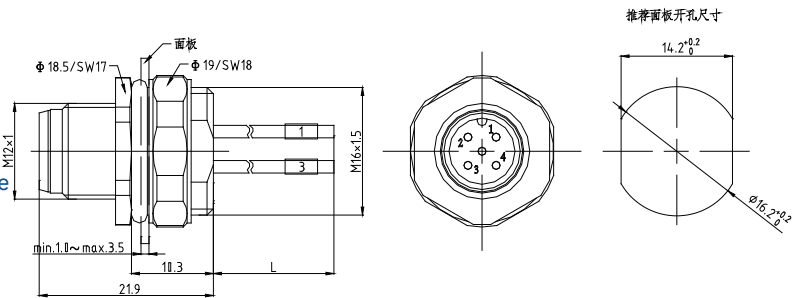
推荐开孔尺寸



Core No.	Part NO.	Order No.	Remark
4	YGC-M12-P4RWAXB	112040103224	
5	YGC-M12-P5RW	112040106216	

**M12 Series-Acode****Prefabricated cable fixing ends male**

- Pin
- Prefabricated cable
- Front mounting

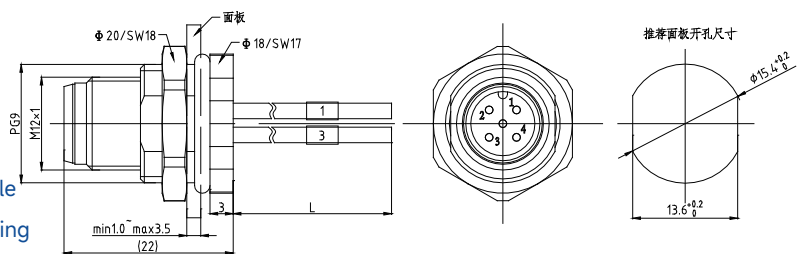


Remark: The following table wire length L and wire gauge can be customized according to customer needs

Core No.	Part NO.	Order No.	Wire gauge	Wire length L/m
4	YGC-M12A-P4RDQ-0.2m	115500022601	4*1mm <sup>2</sup>	0.2
4	YGC-M12A-P4RDQ-0.5m	115500022602	4*1mm <sup>2</sup>	0.5
4	YGC-M12A-P4RDQ-1.0m	115500022603	4*1mm <sup>2</sup>	1.0
4	YGC-M12A-P4RDQ-1.5m	115500022604	4*1mm <sup>2</sup>	1.5
4	YGC-M12A-P4RDQ-2.0m	115500022605	4*1mm <sup>2</sup>	2.0
5	YGC-M12A-P5RDQ-0.2m	115500023101	5*0.5mm <sup>2</sup>	0.2
5	YGC-M12A-P5RDQ-0.5m	115500023102	5*0.5mm <sup>2</sup>	0.5
5	YGC-M12A-P5RDQ-1.0m	115500023103	5*0.5mm <sup>2</sup>	1.0
5	YGC-M12A-P5RDQ-1.5m	115500023104	5*0.5mm <sup>2</sup>	1.5
5	YGC-M12A-P5RDQ-2.0m	115500023105	5*0.5mm <sup>2</sup>	2.0

**Prefabricated cable fixing ends male**

- Pin
- Prefabricated cable
- Backboard mounting



Remark: The following table wire length L and wire gauge can be customized according to customer needs

Core No.	Part NO.	Order No.	Wire gauge	Wire length L/m
4	YGC-M12A-P4RD-0.2m	115500022701	4*1mm <sup>2</sup>	0.2
4	YGC-M12A-P4RD-0.5m	115500022702	4*1mm <sup>2</sup>	0.5
4	YGC-M12A-P4RD-1.0m	115500022703	4*1mm <sup>2</sup>	1.0
4	YGC-M12A-P4RD-1.5m	115500022704	4*1mm <sup>2</sup>	1.5
4	YGC-M12A-P4RD-2.0m	115500022705	4*1mm <sup>2</sup>	2.0
5	YGC-M12A-P5RD-0.2m	115500023201	5*0.5mm <sup>2</sup>	0.2
5	YGC-M12A-P5RD-0.5m	115500023202	5*0.5mm <sup>2</sup>	0.5
5	YGC-M12A-P5RD-1.0m	115500023203	5*0.5mm <sup>2</sup>	1.0
5	YGC-M12A-P5RD-1.5m	115500023204	5*0.5mm <sup>2</sup>	1.5
5	YGC-M12A-P5RD-2.0m	115500023205	5*0.5mm <sup>2</sup>	2.0

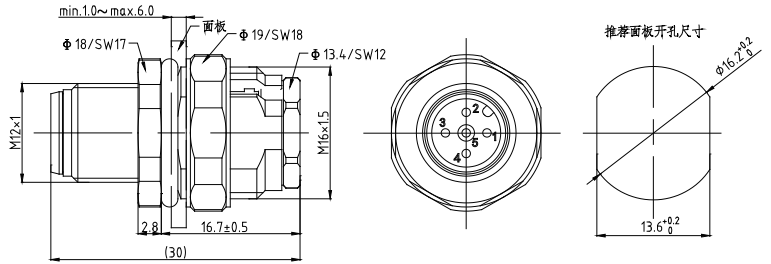


## M12 Series connector-Acode

### Prefabricated cable fixing ends male

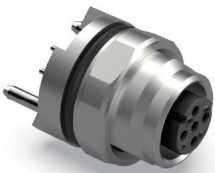


- Pin
- Cold weld
- Front mounting

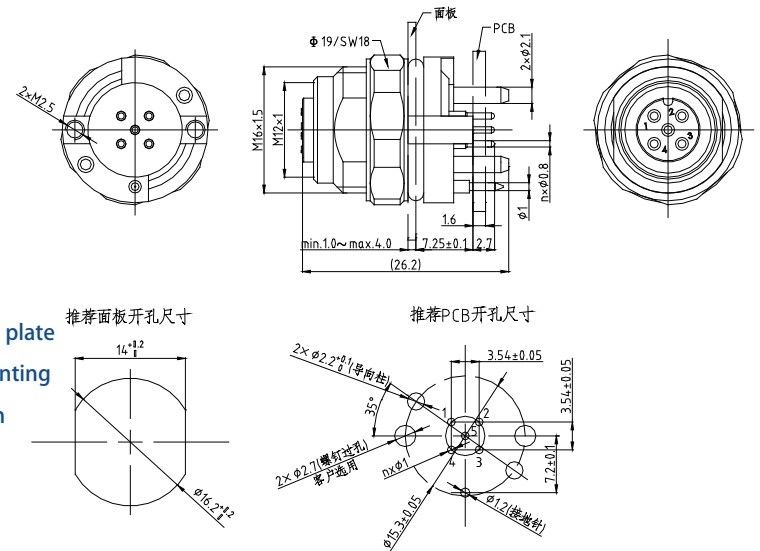


Core No.	Part NO.	Order No.	Remark
5	YGC-M12A1-P5RDQ	112040106184	Pins purchased separately

### Straight welded plate fixed end female



- hole
- Straight welded plate
- Backboard mounting
- With ground pin

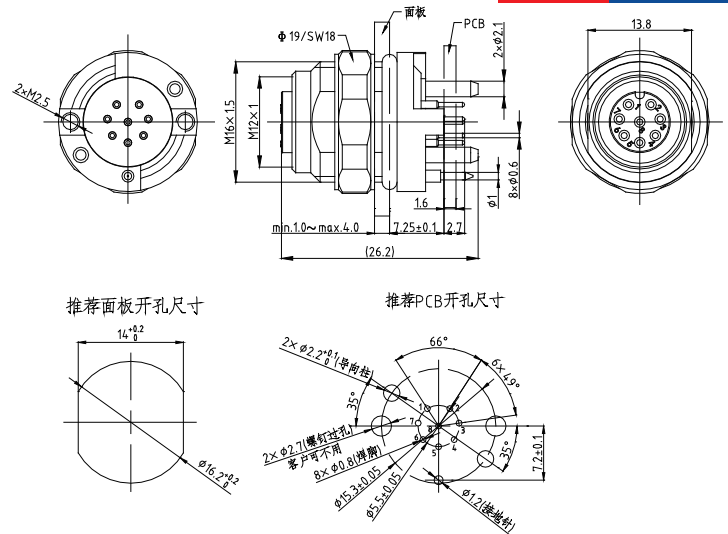


Core No.	Part NO.	Order No.	Remark
4	YGC-M12A-S4PB	112030105418	
5	YGC-M12A-S5PB	111000402561	

Remark:Please refer to P37-P38 for individual contact information

**M12 Series-Acode****Straight welded plate fixed end female**

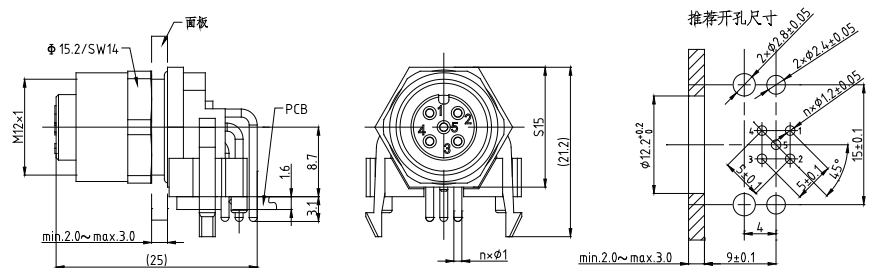
- Jack
- Straight welded plate
- Backboard mounting
- With ground pin



Core No.	Part NO.	Order No.	Remark
8	YGC-M12A-S8PB	112040103051	

**Bent welded plate fixed end female**

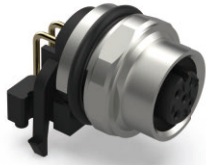
- Jack
- Straight welded plate
- Backboard mounting



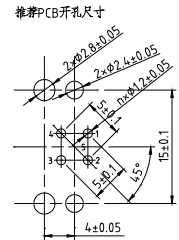
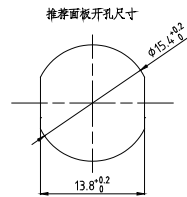
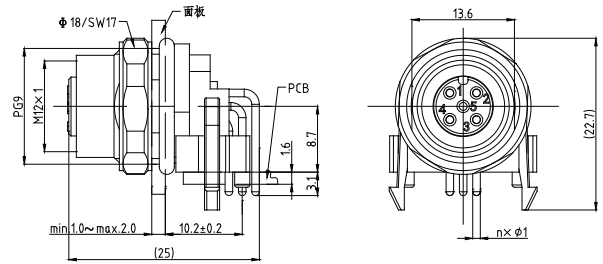
Core No.	Part NO.	Order No.	Remark
4	YGC-M12A-S4RW	112040107485	
5	YGC-M12A-S5RW	112040106217	

## M12 Series connector-Acode

### Bent welded plate fixed end female



- Jack
- Straight welded plate
- Backboard mounting

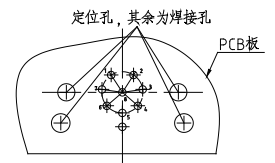
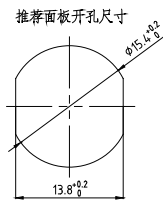
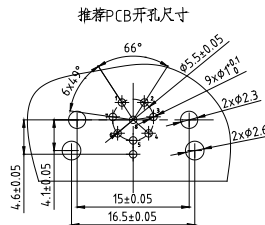
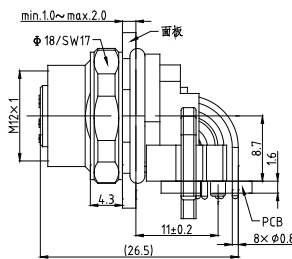


Core No.	Part NO.	Order No.	Remark
4	YGC-M12A-S4RW1	112040106619	
5	YGC-M12A-S5RW1	112040106618	

### Bent welded plate fixed end female



- Jack
- Straight welded plate
- Backboard mounting
- With ground pin



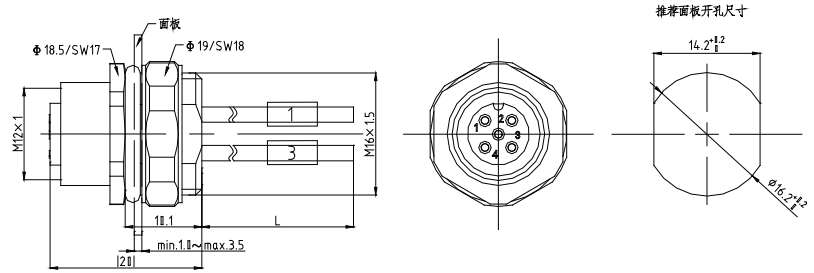
Core No.	Part NO.	Order No.	Remark
8	YGC-M12A-S8PW	111000402834	

## M12 Series connector-Acode

## Prefabricated cable fixed end female



- Jack
- Prefabricated cable
- Front mounting



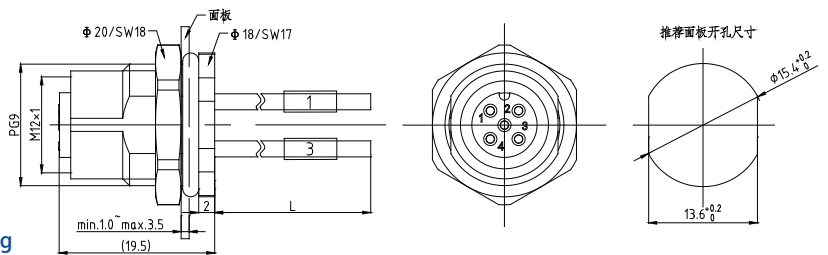
Remark: The following table wire length L and wire gauge can be customized according to customer requirements

Core No.	Part NO.	Order No.	Wire gauge	Wire length L/m
4	YGC-M12A-S4PX-0.25m	115500021701	4*1mm $\boxtimes$	0.25
4	YGC-M12A-S4PX-0.5m	115500021702	4*1mm $\boxtimes$	0.5
4	YGC-M12A-S4PX-1.0m	115500021703	4*1mm $\boxtimes$	1.0
4	YGC-M12A-S4PX-1.5m	115500021704	4*1mm $\boxtimes$	1.5
4	YGC-M12A-S4PX-2.0m	115500021705	4*1mm $\boxtimes$	2.0
5	YGC-M12A-S5RDQ-0.2m	115110038501	5*0.5mm $\boxtimes$	0.2
5	YGC-M12A-S5RDQ-0.5m	115110038502	5*0.5mm $\boxtimes$	0.5
5	YGC-M12A-S5RDQ-1.0m	115110038503	5*0.5mm $\boxtimes$	1.0
5	YGC-M12A-S5RDQ-1.5m	115110038504	5*0.5mm $\boxtimes$	1.5
5	YGC-M12A-S5RDQ-2.0m	115110038505	5*0.5mm $\boxtimes$	2.0

## Prefabricated cable fixed end female



- Jack
- Prefabricated cable
- Front mounting



Remark: The following table wire length L and wire gauge can be customized according to customer requirements

Core No.	Part NO.	Order No.	Wire gauge	Wire length L/m
4	YGC-M12A-S4RD-0.2m	115500022001	4*0.5mm $\boxtimes$	0.2
4	YGC-M12A-S4RD-0.5m	115500022002	4*0.5mm $\boxtimes$	0.5
4	YGC-M12A-S4RD-1.0m	115500022003	4*0.5mm $\boxtimes$	1.0
4	YGC-M12A-S4RD-1.5m	115500022004	4*0.5mm $\boxtimes$	1.5
4	YGC-M12A-S4RD-2.0m	115500022005	4*0.5mm $\boxtimes$	2.0
5	YGC-M12A-S5RD-0.2m	115500023301	5*0.5mm $\boxtimes$	0.2
5	YGC-M12A-S5RD-0.5m	115500023302	5*0.5mm $\boxtimes$	0.5
5	YGC-M12A-S5RD-1.0m	115500023303	5*0.5mm $\boxtimes$	1.0
5	YGC-M12A-S5RD-1.5m	115500023304	5*0.5mm $\boxtimes$	1.5
5	YGC-M12A-S5RD-2.0m	115500023305	5*0.5mm $\boxtimes$	2.0

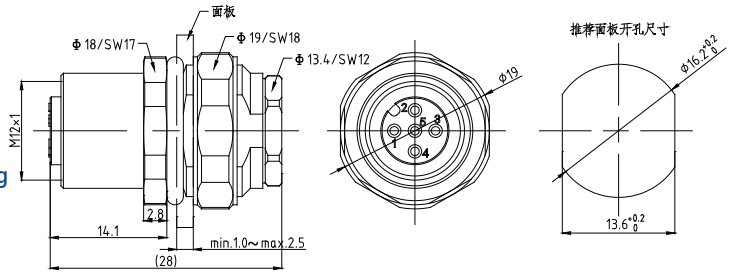


## M12 Series connector-Acode

### Prefabricated cable fixed end female



- Jack
- Cold weld
- Front mounting

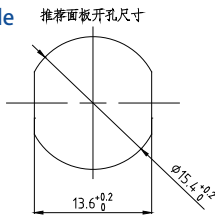
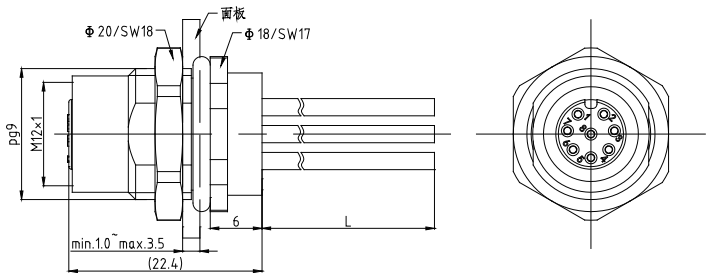


Core No.	Part NO.	Order No.	Remark
5	YGC-M12A1-S5RDQ	112040106185	Jacks are purchased separately

### Prefabricated cable fixed end female



- Jack
- Prefabricated cable
- Front mounting



接线表

装入孔位	导线颜色
1	白
2	棕
3	绿
4	黄
5	橙
6	黑
7	蓝
8	红

Core No.	Part NO.	Order No.	Wire gauge	Wire length L/m
8	YGC-M12A-S8RD-0.2m	115500008001	8*22AWG	0.2
8	YGC-M12A-S8RD-0.5m	115500008002	8*22AWG	0.5
8	YGC-M12A-S8RD-1.0m	115500008003	8*22AWG	1.0
8	YGC-M12A-S8RD-2.0m	115500008004	8*22AWG	2.0

Remark: For information on purchasing contact parts separately, please refer to P37-P38

## M12 series connenctor-*Dcode*



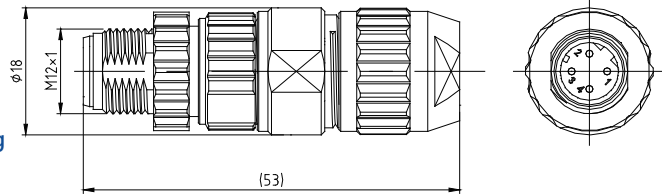
- M12 series connenctor
- A connector whose connection thread is M12 is collectively referred to
- The product profile conforms to IEC61076-2 standard
- An electrical connector commonly used in the world
- It has good electrical performance, electromagnetic compatibility and environmental resistance
- It has a variety of termination forms and flexible installation methods
- The structure of cable assembly and disassembly is fast and efficient
- It is mainly used for power supply and network signal transmission between automatic electrical control systems of rail transit and industrial equipment
- M12-Dcode Series connector
- Mainly used for hundred-megabit network signal transmission, rated voltage 250V, current 4A

## M12 Series connectors-Dcode

### Crimped straight mobile end male



- Pin
- Cold weld
- With shielding

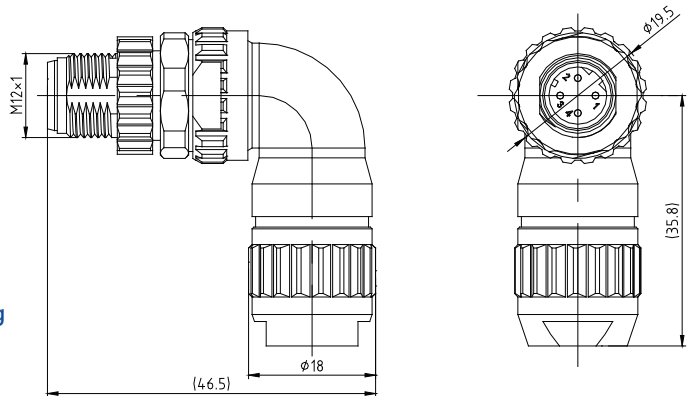


Core No.	Part NO.	Order No.	Outer diameter of the adapter(mm)	Remark
4	YGC-M12D1-P4P(8.3)	112040105460	Φ5-Φ8.3	Pin to be purchased separately
4	YGC-M12D1-P4P(9.5)	112030106053	Φ7.5-Φ9.5	Pin to be purchased separately

### Pressing and bending mobile end male



- Pin
- Cold weld
- With shielding



Core No.	Part NO.	Order No.	Outer diameter of the adapter(mm)	Remark
4	YGC-M12D1-P4PL(8.3)	112030106740	Φ5-Φ8.3	Pin to be purchased separately

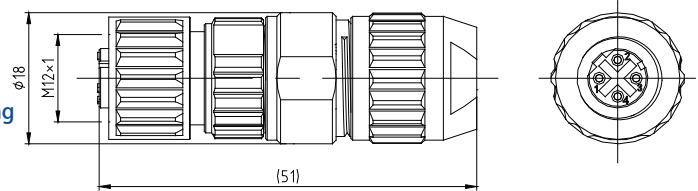
Remark: For information on purchasing contact parts separately, please refer to P37-P38

## M12 Series connectors-Dcode

## Pressing and bending mobile end female



- Jack
- Cold weld
- With shielding

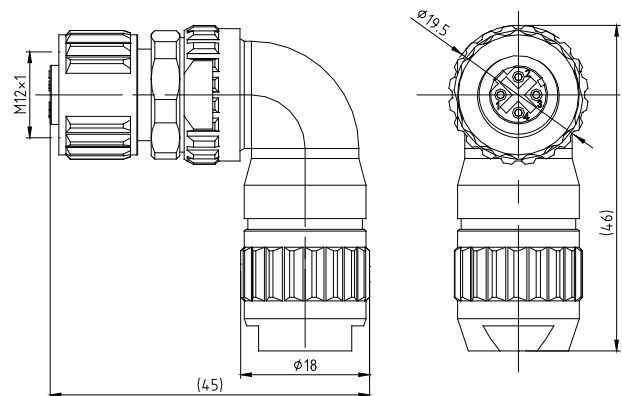


Core No.	Part NO.	Order No.	Outer diameter of the adapter(mm)	Remark
4	YGC-M12D1-S4P(8.3)	112030105444	$\phi 5 \sim \phi 8.3$	Jacks are purchased separately
4	YGC-M12D1-S4P(9.5)	112030106054	$\phi 7.5 \sim \phi 9.5$	Jacks are purchased separately

## Pressing and bending mobile end female



- Jack
- Cold weld
- With shielding

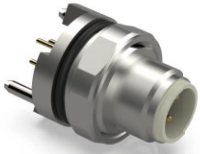


Core No.	Part NO.	Order No.	Outer diameter of the adapter(mm)	Remark
4	YGC-M12D1-S4PL(8.3)	112030106741	$\phi 5 \sim \phi 8.3$	Jacks are purchased separately

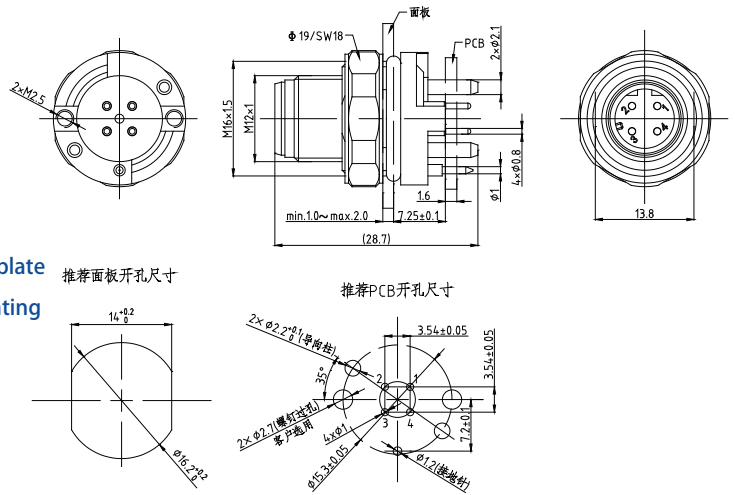
Remark: For information on purchasing contact parts separately, please refer to P31

## M12 Series connectors-Dcode

### Straight welded plate fixed end male seat



- Pin
- Straight welded plate
- Backboard mounting
- With ground pin

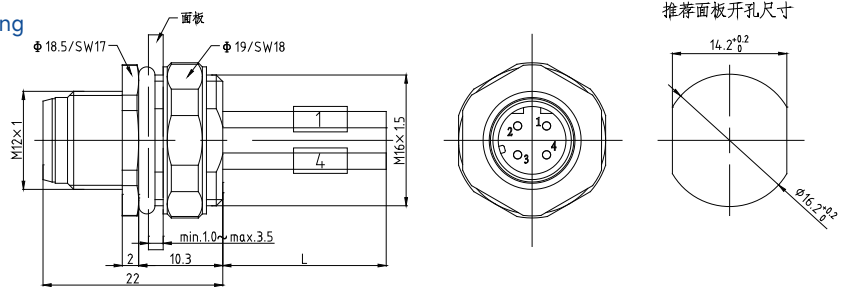


Core No.	Part NO.	Order No.	Remark
4	YGC-M12D-P4RB	111000501584	

## M12 Series connectors-Dcode

### Fixed end male seat with prefabricated cable

- Pin
- Prefabricated cable
- Front mounting

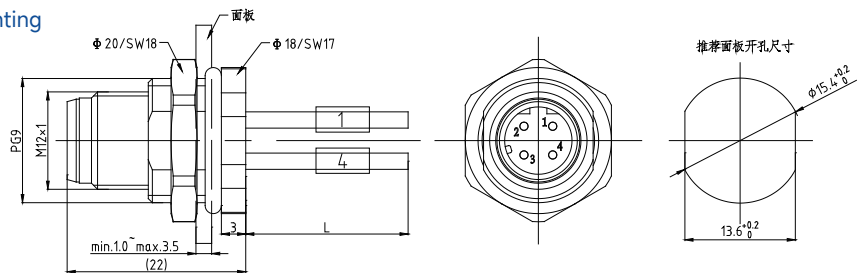


Remark: The following table wire length L and wire gauge can be customized according to customer requirements

Core No.	Part NO.	Order No.	Wire gauge	Wire length L/m
4	YGC-M12D-P4RX-0.1	115500007501	4*1mm <sup>2</sup>	0.1
4	YGC-M12D-P4RX-0.3	115500007502	4*1mm <sup>2</sup>	0.3
4	YGC-M12D-P4RX-0.5	115500007503	4*1mm <sup>2</sup>	0.5
4	YGC-M12D-P4RX-1	115500007504	4*1mm <sup>2</sup>	1.0
4	YGC-M12D-P4RX-2	115500007505	4*1mm <sup>2</sup>	2.0

### Fixed end male seat with prefabricated cable

- Pin
- Prefabricated cable
- Front mounting



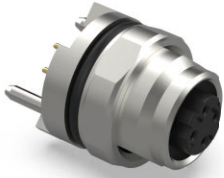
Remark: The following table wire length L and wire gauge can be customized according to customer requirements

Core No.	Part NO.	Order No.	Wire gauge	Wire length L/m
4	YGC-M12D-P4RD-0.2m	115500023401	4x1mm <sup>2</sup>	0.2
4	YGC-M12D-P4RD-0.5m	115500023402	4x1mm <sup>2</sup>	0.5
4	YGC-M12D-P4RD-1.0m	115500023403	4x1mm <sup>2</sup>	1.0
4	YGC-M12D-P4RD-1.5m	115500023404	4x1mm <sup>2</sup>	1.5
4	YGC-M12D-P4RD-2.0m	115500023405	4x1mm <sup>2</sup>	2.0

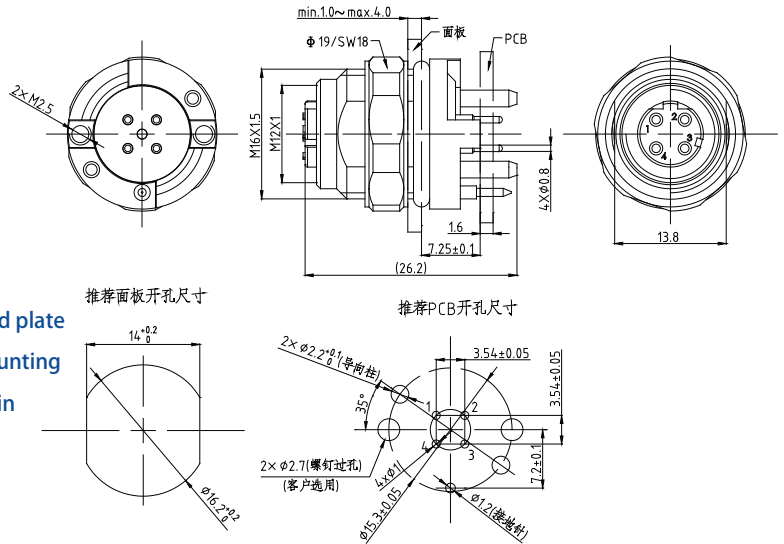


## M12 Series connectors-Dcode

### Straight welded plate fixed end female



- Jack
- Straight welded plate
- Backboard mounting
- With ground pin

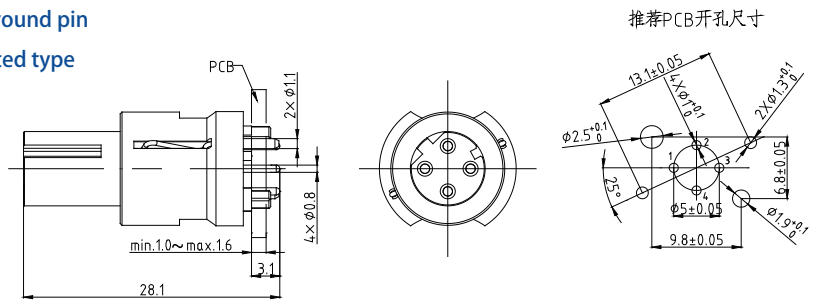


Core No.	Part NO.	Order No.	Remark
4	YGC-M12D-S4PB	111000402562	

### Insulator assembly



- Jack
- Straight welded plate
- With ground pin
- Separated type



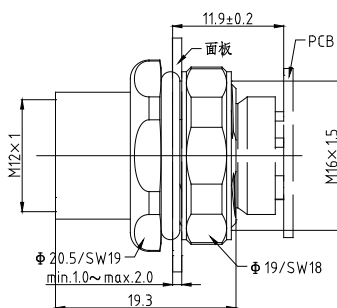
Core No.	Part NO.	Order No.	Remark
4	YG971BQ (M12D)	113060100434	

## M12 Series connectors-Dcode

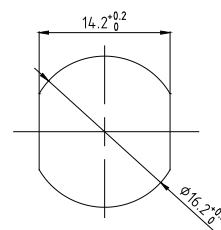
### Shell assembly



- Shell
- Front mounting



推荐面板开孔尺寸

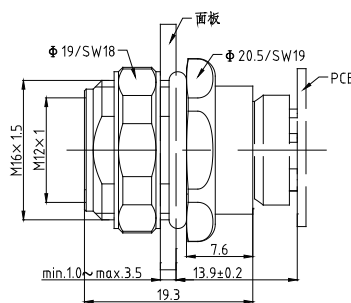


Core No.	Part NO.	Order No	Remark
Shell assembly	YG971BQ Shell assembly	113040100121	

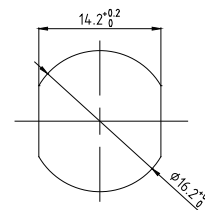
### Shell assembly



- Shell
- Front mounting



推荐面板开孔尺寸



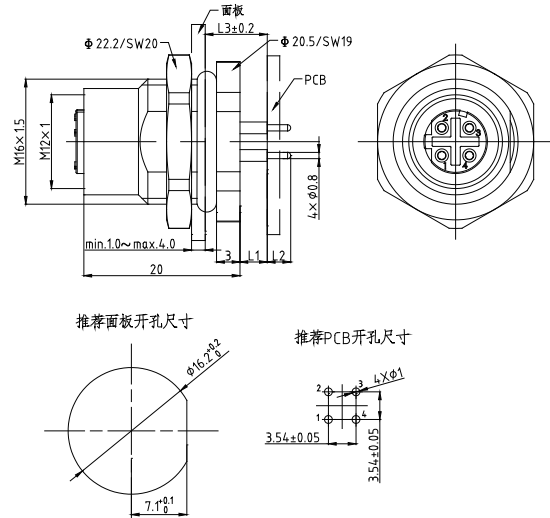
Core No.	Part NO.	Order No	Remark
Shell assembly	YG971BH1 Shell assembly	113040100210	

## M12 Series connectors-Dcode

### Straight welded plate fixed end female



- Jack
- Straight welded plate
- Backboard mounting

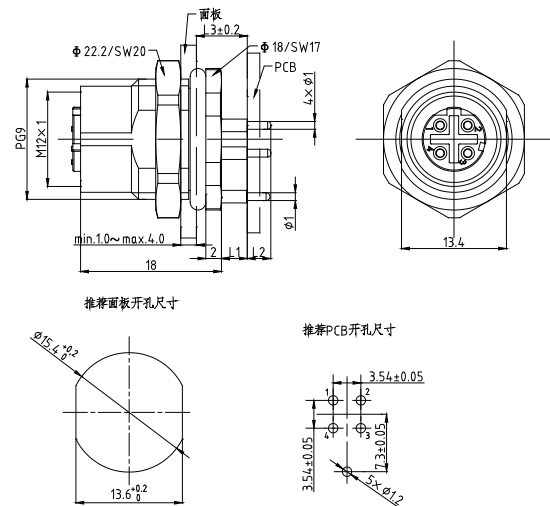


Core No.	Part NO.	Order No.	L1	L2	L3
4	YGC-M12-S4PA	111000200019	0	3	4.5
4	YGC-M12-S4PAD	111000400348	3.5	3	8
4	YGC-M12-S4PAD2	111000401136	4	3	8.5
4	YGC-M12-S4PAD1	111000400347	6	4	10.5

### Straight welded plate fixed end female



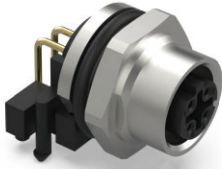
- Jack
- Straight welded plate
- Backboard mounting
- With ground pin



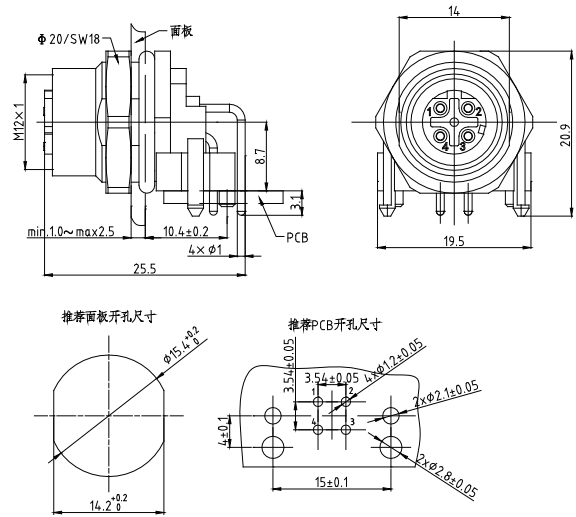
Core No.	Part NO.	Order No.	L1	L2	L3
4	YGC-M12-S4PL	111000400416	3.3	3	6.5
4	YGC-M12-S4PL2	112030105527	9	3	12.2

## M12 Series connectors-Dcode

### Bent welded plate fixed end female

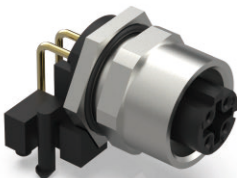


- Jack
- Bent welded plate
- Backboard mounting

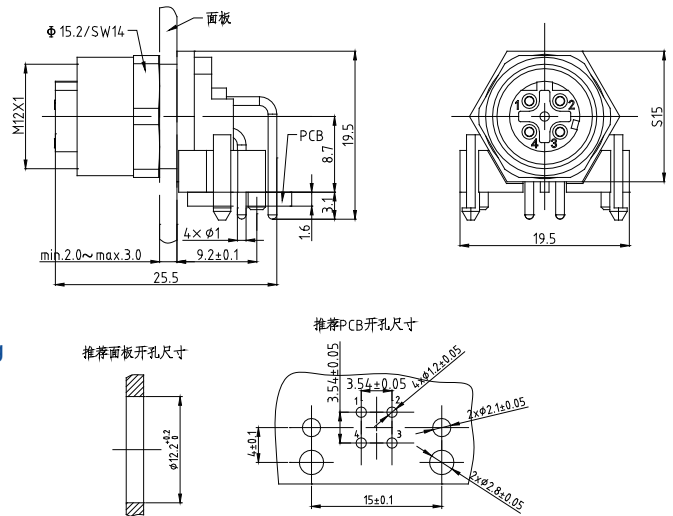


Core No.	Part NO.	Order No.	Remark
4	YGC-M12-S4PWHA	111000400845	

### Bent welded plate fixed end female



- Jack
- Bent welded plate
- Backboard mounting



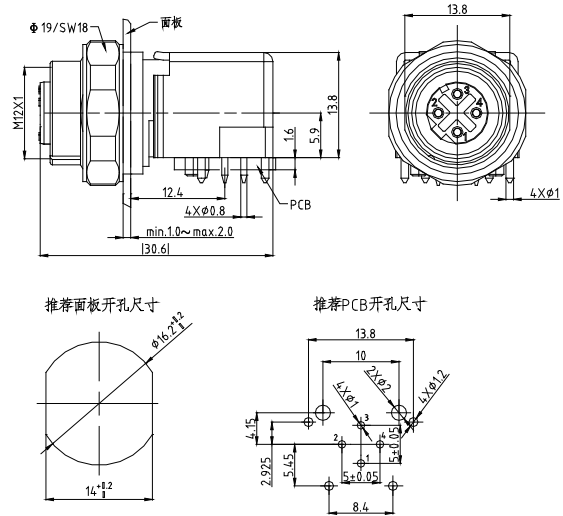
Core No.	Part NO.	Order No.	Remark
4	YGC-M12-S4PW	111000200044	

## M12 Series-Dcode

### Bent welded plate fixed end female

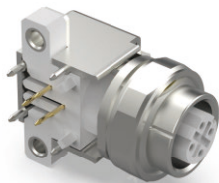


- holes
- Bent welded plate
- Backboard mounting
- With shielding shell

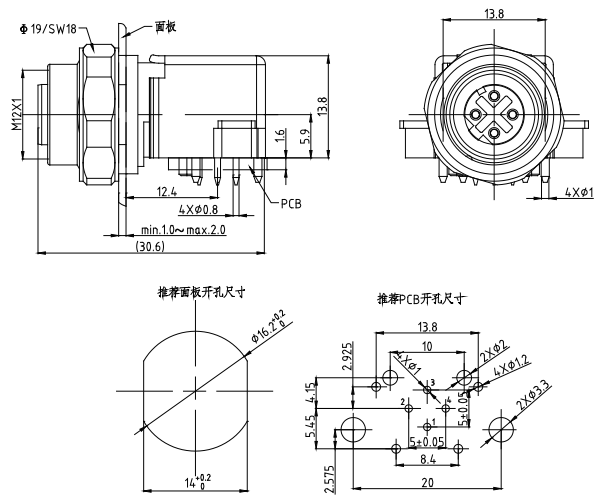


Core No.	Part NO.	Order No.	Remark
4	YGC-M12D-S4RBG	111000501106	IP20, Backboard mounting

### Bent welded plate fixed end female



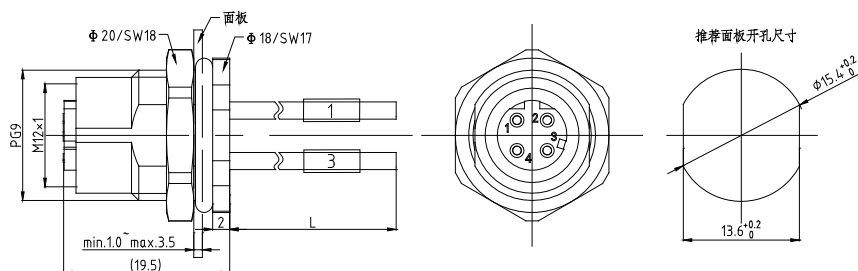
- holes
- Bent welded plate
- Backboard mounting
- With shielding shell



Core No.	Part NO.	Order No.	Remark
4	YGC-M12D-S4RBD	111000501044	IP20, Backboard mounting

**M12 Series connectors-Dcode****Prefabricated cable Fixed end base female**

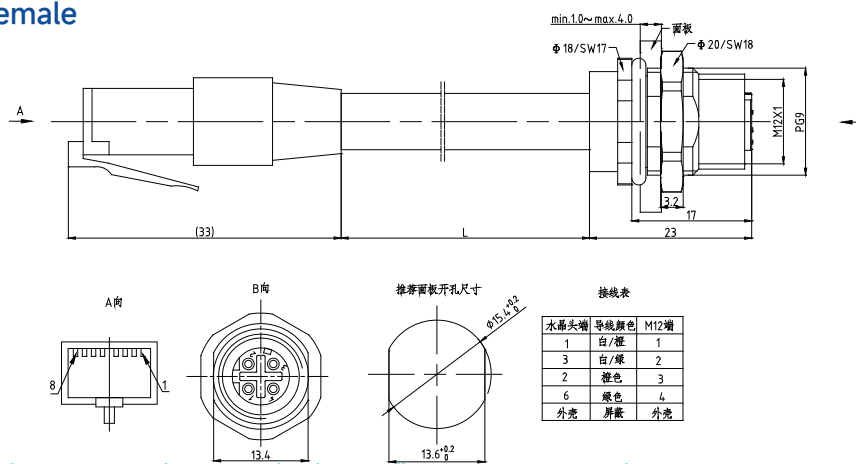
- Jack
- Prefabricated cable
- Backboard mounting



Core No.	Part NO.	Order No.	Wire gauge	Wire length L/m
4	YGC-M12D-S4RD-0.2m	115500022901	4×1mm <sup>2</sup>	0.2
4	YGC-M12D-S4RD-0.5m	115500022902	4×1mm <sup>2</sup>	0.5
4	YGC-M12D-S4RD-1.0m	115500022903	4×1mm <sup>2</sup>	1.0
4	YGC-M12D-S4RD-1.5m	115500022904	4×1mm <sup>2</sup>	1.5
4	YGC-M12D-S4RD-2.0m	115500022905	4×1mm <sup>2</sup>	2.0

**Prefabricated cable Fixed end base female**

- Jack
- Prefabricated cable connects to RJ45
- Backboard mounting
- With shielding shell

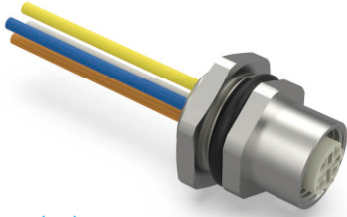


Remark: The following table wire length L and wire gauge can be customized according to customer needs

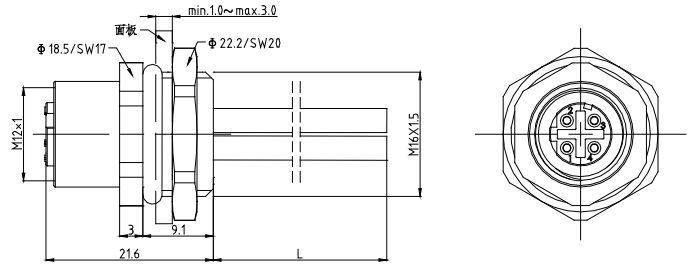
Core No.	Part NO.	Order No.	Wire gauge	Wire length L/m
4	YGC-M12-S4RT2	111000500342	4*2*26AWG	0.1
4	YGC-M12-S4RT2插座 (0.24)	112044000413	4*2*26AWG	0.24
4	YGC-M12-S4RT2插座 (0.26)	111000500343	4*2*26AWG	0.26
4	YGC-M12-S4RT2插座 (0.3)	111000500927	4*2*26AWG	0.3
4	YGC-M12-S4RT2插座 (1.5m)	112024001781	4*2*26AWG	1.5

## M12 Series-Dcode

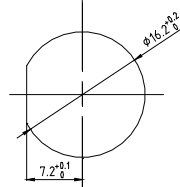
### Prefabricated cable Fixed end base female



- Jack
- Prefabricated cable
- Front mounting



推荐面板开孔尺寸



线缆颜色与孔位对照表

线缆颜色	孔位号
黄色	1
白色	2
橙色	3
蓝色	4

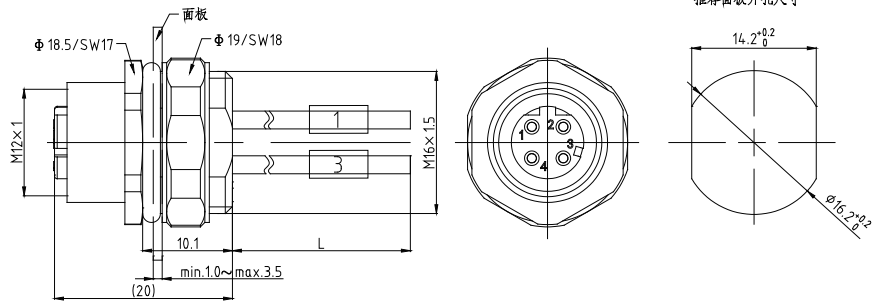
Remark: The following table wire length L and wire gauge can be customized according to customer needs

Core No.	Part NO.	Order No.	Wire gauge	Wire length L/m
4	YGC-M12-S4PB (0.25)	111000200020	4*22AWG	0.25
4	YGC-M12-S4PB (0.5)	111000400343	4*22AWG	0.5
4	YGC-M12-S4PB (1)	113021102673	4*22AWG	1.0
4	YGC-M12-S4PB (2)	111000400344	4*22AWG	2.0
4	YGC-M12-S4PB (2.5)	111000400345	4*22AWG	2.5

### Prefabricated cable Fixed end base female



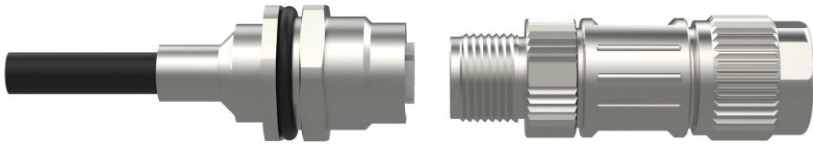
- Jack
- Prefabricated cable
- Front mounting



Remark: The following table wire length L and wire gauge can be customized according to customer needs

Core No.	Part NO.	Order No.	Wire gauge	Wire length L/m
4	YGC-M12D-S4RDQ-0.2m	115500022801	4*1mm <sup>2</sup>	0.2
4	YGC-M12D-S4RDQ-0.5m	115500022802	4*1mm <sup>2</sup>	0.5
4	YGC-M12D-S4RDQ-1.0m	115500022803	4*1mm <sup>2</sup>	1.0
4	YGC-M12D-S4RDQ-1.5m	115500022804	4*1mm <sup>2</sup>	1.5
4	YGC-M12D-S4RDQ-2.0m	115500022805	4*1mm <sup>2</sup>	2.0

## M12 Series connectors-Xcode



- M12 series connector
- A connector whose connection thread is M12 is collectively referred to;
- The product profile conforms to IEC61076-2 standard;
- An electrical connector commonly used in the world;
- It has good electrical performance, electromagnetic compatibility and environmental resistance;
- It has a variety of termination forms and flexible installation methods;
- The structure of cable assembly and disassembly is fast and efficient;
- It is mainly used for power supply and network signal transmission between automatic electrical control systems of rail transit and industrial equipment;
- M12-Xcode Series connector
- It is mainly used for 10-gigabit network signal transmission

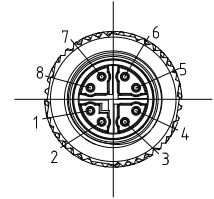
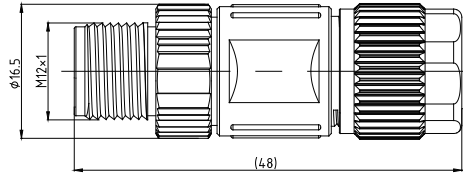


## M12 Series connectors-Xcode

### Crimped mobile end male



- Pin
- Cold weld
- With shielding
- 10000Mbps

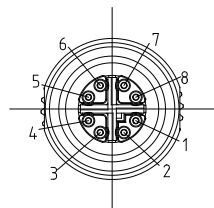
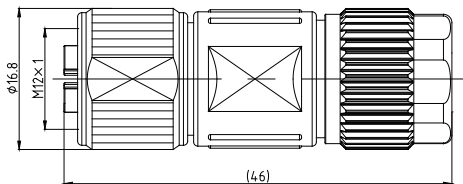


Core No.	Part NO.	Order No.	Cable O.D. (mm)	Remark
8	YGC-M12X-P8P( $\phi 8.7$ )	111000402729	$\phi 5 \sim \phi 8.7$	Pins are purchased separately

### Crimped mobile end female



- Jack
- Cold weld
- With shielding
- 10000Mbps



Core No.	Part NO.	Order No.	Cable O.D. (mm)	Remark
8	YGC-M12X-S8P( $\phi 8.7$ )	112030105965	$\phi 5 \sim \phi 8.7$	Jacks are purchased separately

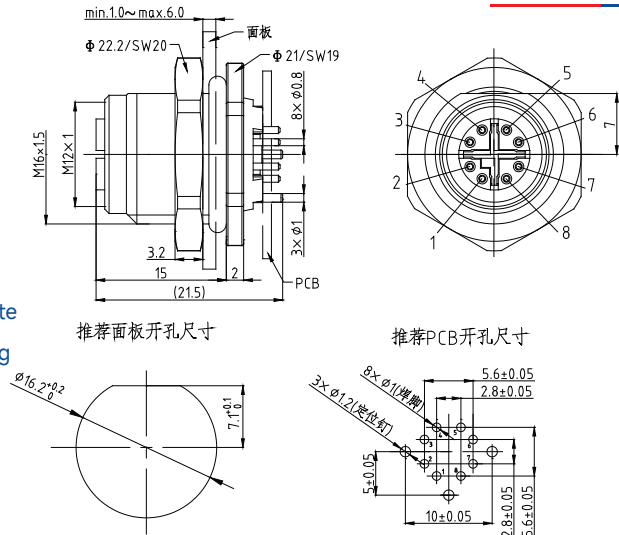
Remark: Please see P37 for information on individual purchase contacts

## M12 Series connectors-Xcode

### Straight welded plate fixed end base female



- Jack
- Straight welded plate
- Backboard mounting
- With ground pin

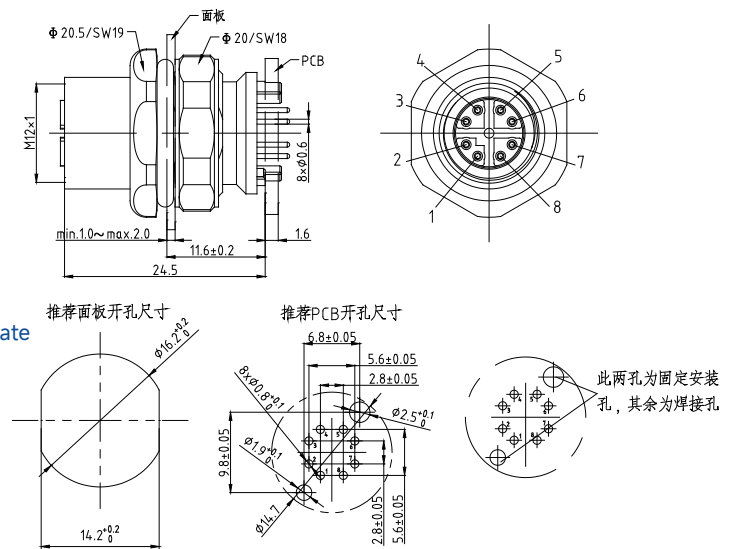


Core No.	Part NO.	Order No.	Remark
8	YGC-M12X-S8R	112040101951	

### Straight welded plate fixed end base female



- Jack
- Straight welded plate
- Front mounting
- Split type



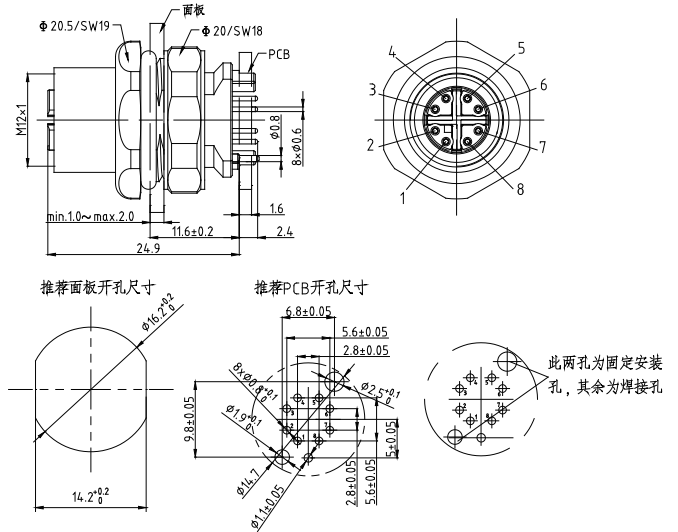
Core No.	Part NO.	Order No.	Remark
8	YGC-M12X-S8PBQ	111000200833	

## M12 Series connectors-Xcode

### Straight welded plate fixed end base female



- Jack
- Straight welded plate
- Front mounting
- With ground pin
- Split type

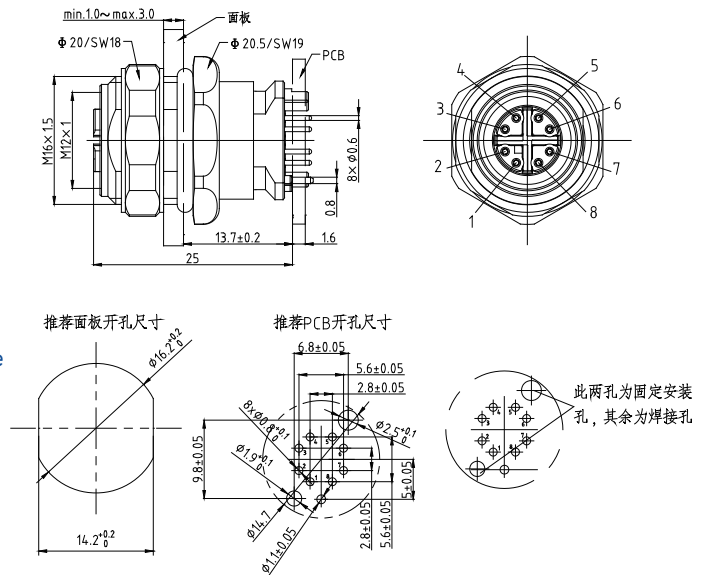


Core No.	Part NO.	Order No.	Remark
8	YGC-M12X-S8RBQ1 插座	112040106114	

### Straight welded plate fixed end base female



- Jack
- Straight welded plate
- Backboard mounting
- With ground pin
- Split type



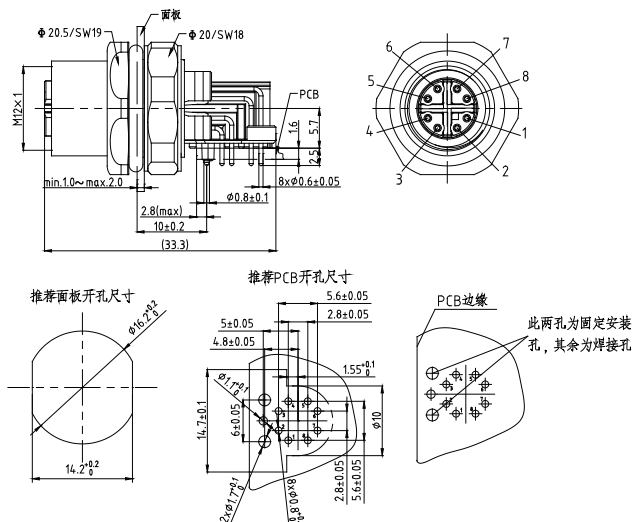
Core No.	Part NO.	Order No.	Remark
8	YGC-M12X-S8RB1	112040107492	

### M12 Series connectors-Xcode

#### Bent welded plate fixed end base female



- Jack
- Bent welded plate
- Front mounting
- With ground pin
- Split type

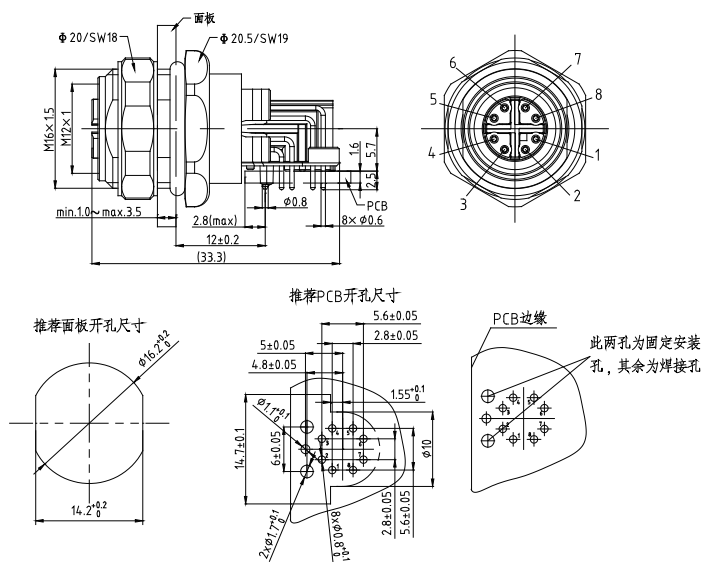


Core No.	Part NO.	Order No.	Remark
8	YGC-M12X-S8PWQ	111000402778	

#### Bent welded plate fixed end base female



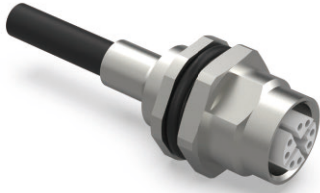
- Jack
- Bent welded plate
- Backboard mounting
- With ground pin
- Split type



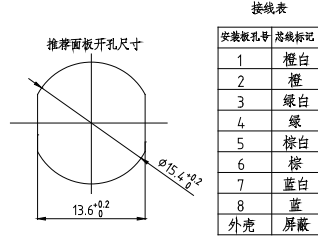
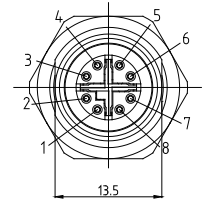
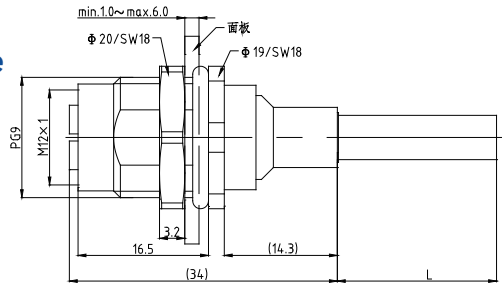
Core No.	Part NO.	Order No.	Remark
8	YGC-M12X-S8RWB	112040106094	

## M12 Series connectors-Xcode

### Prefabricated cable Fixed end base female



- Jack
- Prefabricated cable
- Backboard mounting
- Shell connection shield



接线表

芯线标号	芯线标号
1	橙白
2	橙
3	绿白
4	绿
5	棕白
6	棕
7	蓝白
8	蓝
外壳	屏蔽

Core No.	Part NO.	Order No.	Wire gauge	Wire length L/m	Remark
8	YGC-M12X-S8RD-0.5m	112044001494	Cat7 26AwG	0.5	10000Mbps
8	YGC-M12X-S8RD-2m	111000502377	Cat7 26AwG	2	10000Mbps
8	YGC-M12X-S8RD-0.25m	115500021801	Cat7 26AwG	0.25	10000Mbps
8	YGC-M12X-S8RD-1.0m	115500021802	Cat7 26AwG	1.0	10000Mbps
8	YGC-M12X-S8RD-1.5m	115500021803	Cat7 26AwG	1.5	10000Mbps

## M12 Series connectors—Scode



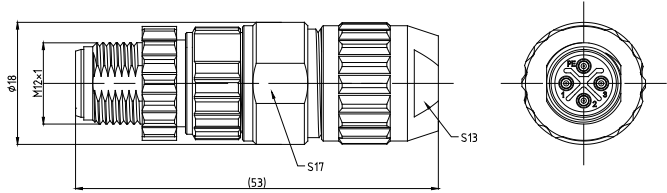
- M12 series connector
- A connector whose connection thread is M12 is collectively referred to;
- The product profile conforms to IEC61076-2 standard;
- An electrical connector commonly used in the world;
- It has good electrical performance, electromagnetic compatibility and environmental resistance;
- It has a variety of termination forms and flexible installation methods;
- The structure of cable assembly and disassembly is fast and efficient;
- It is mainly used for power supply and network signal transmission between automatic electrical control systems of rail transit and industrial equipment;
- M12-Scode Series connector
- Mainly used for power supply, control connection, rated voltage 630V, current 12A

## M12 Series connector-Scode

### Crimped mobile end male



- Pin
- Cold weld

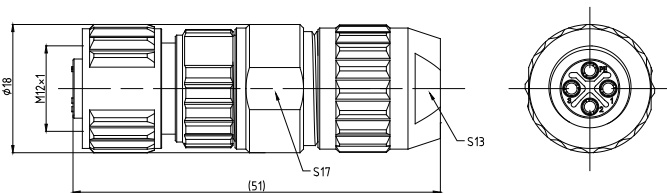


Core No.	Part NO.	Order No.	Cable O.D. (mm)	Remark
4	YGC-M12S-P4P	112030105651	$\Phi 5 \sim \Phi 9.5$	Pins are purchased separately

### Crimped mobile end female



- Jack
- Cold weld



芯数	Part NO.	Order No.	Cable O.D. (mm)	Remark
4	YGC-M12S-S4P	112030105594	$\Phi 5 \sim \Phi 9.5$	Pins are purchased separately

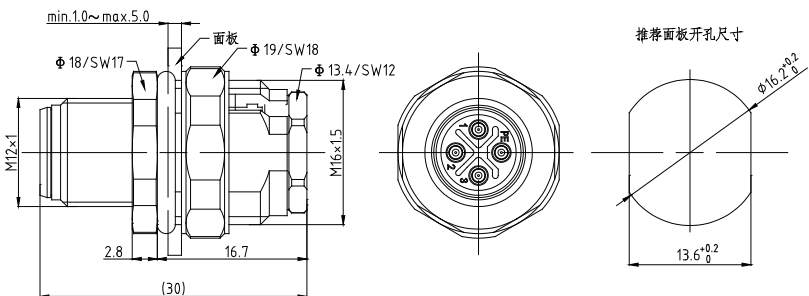
Remark: Contact information for individual purchase is detailed in P37

## M12 Series connectors-Scode

### Prefabricated cable fixing ends male



- Pin
- Cold weld
- Front mounting

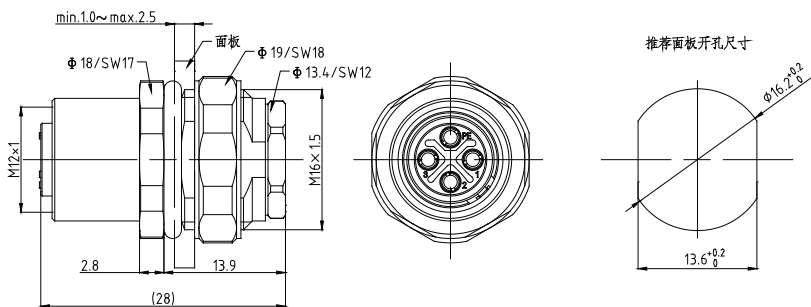


Core No.	Part NO.	Order No.	Remark
4	YGC-M12S-P4R	112040105711	Pins are purchased separately

### Prefabricated cable fixing ends female



- Jack
- Cold weld
- Front mounting



Core No.	Part NO.	Order No.	Remark
4	YGC-M12S-S4R	112040105712	hole are purchased separately

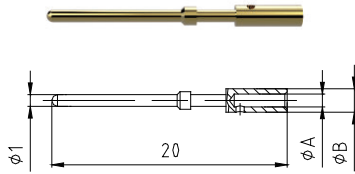
Remark: Contact information for individual purchase is detailed in P37-P38



## M12 Series connectors-Contacts

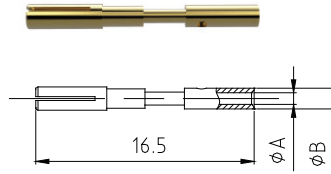
### Contact specifications and wiring requirements (purchased separately)

A4、D4 dedicated-Pin



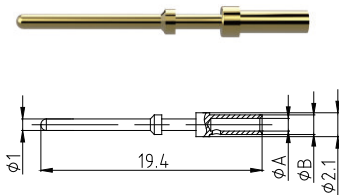
Order No.	section surfacem <sup>2</sup>	wire gauge AWG	A	B
114020502710	0.12-0.34	26-22	0.9	1.5
114020502709	0.34-0.5	22-20	1.1	1.7
114020502708	0.75-1.0	18-17	1.4	2

A4、D4 dedicated-Jack



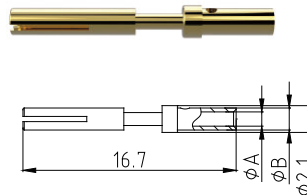
Order No.	section surfacem <sup>2</sup>	wire gauge AWG	A	B
114021002429	0.12-0.34	26-22	0.9	1.6
114021002428	0.34-0.5	22-20	1.1	1.8
114021002427	0.75-1.0	18-17	1.4	2.1

A5 dedicated-Pin



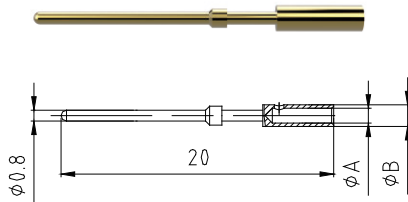
Order No.	section surfacem <sup>2</sup>	wire gauge AWG	A	B
115260020101	0.12-0.34	26-22	0.9	1.5
115260020102	0.34-0.5	22-20	1.1	1.7
115260020103	0.75-1.0	18-17	1.4	2

A5 dedicated-Jack



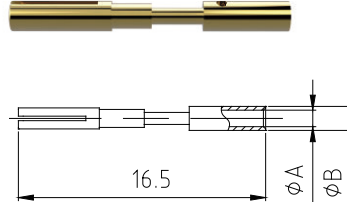
Order No.	section surfacem <sup>2</sup>	wire gauge AWG	A	B
115360020601	0.12-0.34	26-22	0.9	1.5
115360020602	0.34-0.5	22-20	1.1	1.7
115360020603	0.75-1.0	18-17	1.4	2

A8 dedicated-Pin



Order No.	section surfacem <sup>2</sup>	wire gauge AWG	A	B
114020502706	0.12-0.34	26-22	0.9	1.6
114020502705	0.34-0.5	22-20	1.1	1.6

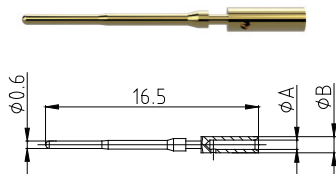
A8 dedicated-Jack



Order No.	section surfacem <sup>2</sup>	wire gauge AWG	A	B
114021002483	0.12-0.34	26-22	0.9	1.5
114021002482	0.34-0.5	22-20	1	1.5

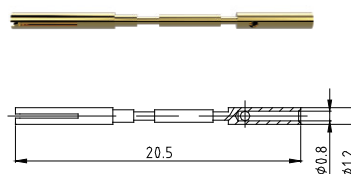
**M12 Series connectors-Contacts****Contact specifications and wiring requirements (purchased separately)**

X8 dedicated-pin



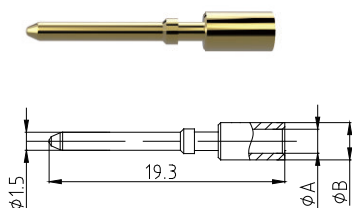
Order No.	section surfacem <sup>2</sup>	wire gauge AWG	A	B
114020501038	0.12-0.25	26-24	0.7	1.3
114020502004	0.25-0.34	24-22	0.9	1.4

X8 dedicated-jack



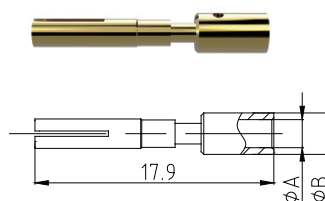
Order No.	section surfacem <sup>2</sup>	wire gauge AWG	A	B
114021002533	0.12-0.34	26-22	/	/

S4 dedicated-pin



Order No.	section surfacem <sup>2</sup>	wire gauge AWG	A	B
115260019401	0.12-0.34	26-22	0.9	2.1
115260019402	0.34-0.5	22-20	1.1	2.1
115260019403	0.75-1.0	18	1.4	2.4
115260019404	1.5	16	1.8	2.8
115260019405	2.5	14	2.1	3.1




S4 dedicated-jack




Order No.	section surfacem <sup>2</sup>	wire gauge AWG	A	B
115360019701	0.12-0.34	26-22	0.9	2.1
115360019702	0.34-0.5	22-20	1.1	2.1
115360019703	0.75-1.0	18	1.4	2.4
115360019704	1.5	16	1.8	2.8
115360019705	2.5	14	2.1	3.1

## M12 Series Connectors-Accessories

### Dust cover

	Type	Order No.	Suitable for crimping range
	Dustproof cover	113029800096	IP67, Fixed thread specification M16*1.5
	for female end	113029800095	IP67, Fixed thread specification PG9
	Dustproof cap for	501021300022	IP20, Dust only
	male end		
	Dustproof cap for	501021704548	IP20, Dust only
	female end		


### Crimping tools (purchased separately)

	Type	Part No.	Order No.	Suitable for crimping range
	Press Plier	M22520/2-01	532030100121	(0.12 ~ 0.5)mm <sup>2</sup> 或26AWG ~ 20AWG
	Press Plier	M22520/1-01	531030600020	(0.5 ~ 3)mm <sup>2</sup> 或20AWG ~ 12AWG

YONGGUI SCIENCE AND TECHNOLOGY



**SICHUAN YONGGUI SCIENCE AND TECHNOLOGY CO., LTD**

 Address: 68 Jinjialin Street, Fucheng District, Mianyang City

 Tel: 0816-2865042

 Website: <https://www.yonggui-sc.com>

