


Technical Specifications

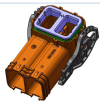

YGEV 4-2pin Series Electrical Connectors


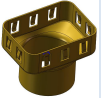
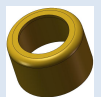

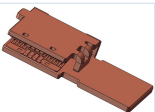

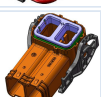





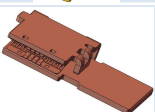

• Product Overview

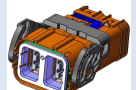
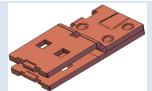
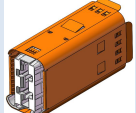

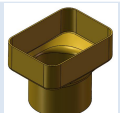

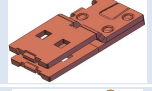
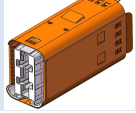

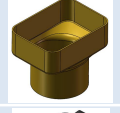

 <p>Application Scenario</p> <p>Suitable for electrical connections of electric vehicle battery packs, electric drives, electronic controls, high-voltage boxes, etc.</p>	<p>Advantages</p> <ul style="list-style-type: none"> ✓The product can achieve 360-degree full shielding; ✓The product has high voltage interlock function; ✓ Different combinations of key positions at both ends are used to prevent wrong insertion; ✓ The connection between the plug and the receptacle is a pull rod lock; ✓The plug adopts terminal welding.
---	--

• Ordering Information

Ordering information (assembly)				
Key position	I			
Product Name	YGEV4-S2PWHA plug (35mm ²)	YGEV4-S2PWHA plug (50mm ²)	YGEV4-S2PHA plug (35mm ²)	YGEV4-S2PHA plug (50mm ²)
Part No.	111000405874	111000405875	111000405919	111000405920
Product Name	YGEV4-P2RA1 receptacle	YGEV4-P2RA2 receptacle	YGEV4-P2RA4 receptacle	YGEV4-P2RA5 receptacle
Part No.	111000100596	111000100597	111000502903	111000503391
Note: All types of plugs can be plugged into all types of receptacles				

Ordering information (assembly)		Ordering information (parts details, can be purchased separately)				
		Product Name	Part No.	Qty	Wiring specifications	Diagram (reference)
YGEV4-S2PWHA plug (35mm ²)	111000405874	YGEV4-S2PWHA plug assembly	112010105663	1	/	
		YGEV4WA-1 Insulator 1	114060103317	2	35mm ² (LV216) Φ 14.1±0.3mm	

		YGEV4WA-1 Insulator 2	114060103318	2		
		YGEV4WA shielding ring-outer-35	114022600423	2		
		YGEV4WA shielding ring-inner-35	114022600422	2		
		YGEV4WA shielding parts	114022600412	2		
		18×2 socket	114020101218	2		
		φ14.8 Tail cover assembly (black)	113990001498	2		
YGEV4-S2PWHA plug (50mm ²)	111000405875	YGEV4-S2PWHA plug assembly	112010105663	1	/	
		YGEV4WA-1 Insulator 1	114060103317	2	50mm ² (LV216) Φ 15.5±0.3mm	
		YGEV4WA-1 Insulator 2	114060103318	2		
		YGEV4WA shielding ring 2	114022600406	2		
		YGEV4WA shielding ring 1	114022600405	2		
		YGEV4WA shielding parts	114022600412	2		
		18×2 socket	114020101218	2		
		φ16.2 Tail cover assembly (black)	113069800540	2		

Ordering information (assembly)		Ordering information (parts details, can be purchased separately)				
		Product Name	Part No.	Qty	Wiring specifications	Diagram (reference)
YGEV4-S2PHA plug (35mm ²)	111000405919	YGEV2-S2PA plug assembly	112010106228	1	/	
		18×2 socket	113020602021	2	35mm ² (LV216) Φ 14.1±0.3mm	
		YGEV4A-1 insulator assembly	113990001888	2		
		YGEV4A shielding ring-inner-35	114029801976	2		
		YGEV4WA shielding ring-outer-35	114022600423	2		
		φ14.8 Tail cover assembly (black)	13990001498	2		
YGEV4-S2PHA plug (50mm ²)	111000405920	YGEV2-S2PB plug assembly	112010105914	1		/
		18×2 socket	113020602021	2	50mm ² (LV216) Φ 15.5±0.3mm	
		YGEV4A-1 insulator assembly	113990001888	2		
		YGEV4A shielding ring-inner-50	114029801975	2		
		YGEV4WA shielding ring 2	114022600406	2		
		φ16.2 Tail cover assembly (black)	113069800540	2		

Ordering information (assembly)		Ordering information (parts details, can be purchased separately)				
		Product Name	Part No.	Qty	Wiring specifications	Diagram (reference)
YGEV4-P2RA1 receptacle	111000100596	YGEV4-P2RA1 receptacle assembly	112020106445	1	/	
		0.63×0.63 pin	501021400215	2	$\Phi(1.2-1.3)\pm 0.1$ (0.25-0.35mm ²)	
		YGEV4 receptacle protection cover-P	114069806099	1	/	
YGEV4-P2RA2 receptacle	111000100597	YGEV4-P2RA2 receptacle assembly	112020106446	1	/	
		0.63×0.63 pin	501021400215	2	$\Phi(1.2-1.3)\pm 0.1$ (0.25-0.35mm ²)	
		YGEV4 receptacle protection cover-P	114069806099	1	/	
YGEV4-P2RA4 receptacle	111000502903	YGEV4-P2RA4 receptacle assembly	112020107177	1	/	
		0.63×0.63 pin	501021400215	2	$\Phi(1.2-1.3)\pm 0.1$ (0.25-0.35mm ²)	
		YGEV4 receptacle protection cover-P	114069806099	1	/	
		YGEV4A4 seal	114050501913	1	$\Phi(1.2-1.3)\pm 0.1$ (0.25-0.35mm ²)	
YGEV4-P2RA5 receptacle	111000503391	YGEV4-P2RA5 receptacle assembly	113990001957	1	/	
		0.63×0.63 pin	501021400215	2	$\Phi(1.2-1.3)\pm 0.1$ (0.25-0.35mm ²)	
		YGEV4 receptacle protection cover-P	114069806099	1	/	

• Technical Data

Basic Information	
PIN distance	24mm

Number of cores	2pin
Cable specifications	35mm ² (φ14.1±0.3mm), 50mm ² (φ15.5±0.3mm)
Outlet direction	90°、180°

Electrical properties	
Rated voltage	1000 V (power), 24 V (signal)
Rated current	150A (35mm ²), 220A (50mm ²)
Withstand voltage	3000 V (power), 1000 V (signal) (50Hz AC normal)
Insulation resistance	≥100MΩ (power/signal) (1000V DC)
HVIL (Y/N)	Y
Shield (Y/N)	Y

Mechanical properties	
Mechanical life	≥50 times
Vibration level	V2 (USCAR 37)

Environmental resistance	
Operating temperature	-40°C ~ +125°C
Protection level	IP67&IP6K9K (header plug-in)
Relative humidity	95% (at 40°C)
Salt spray level	96h
Altitude	≤4000m

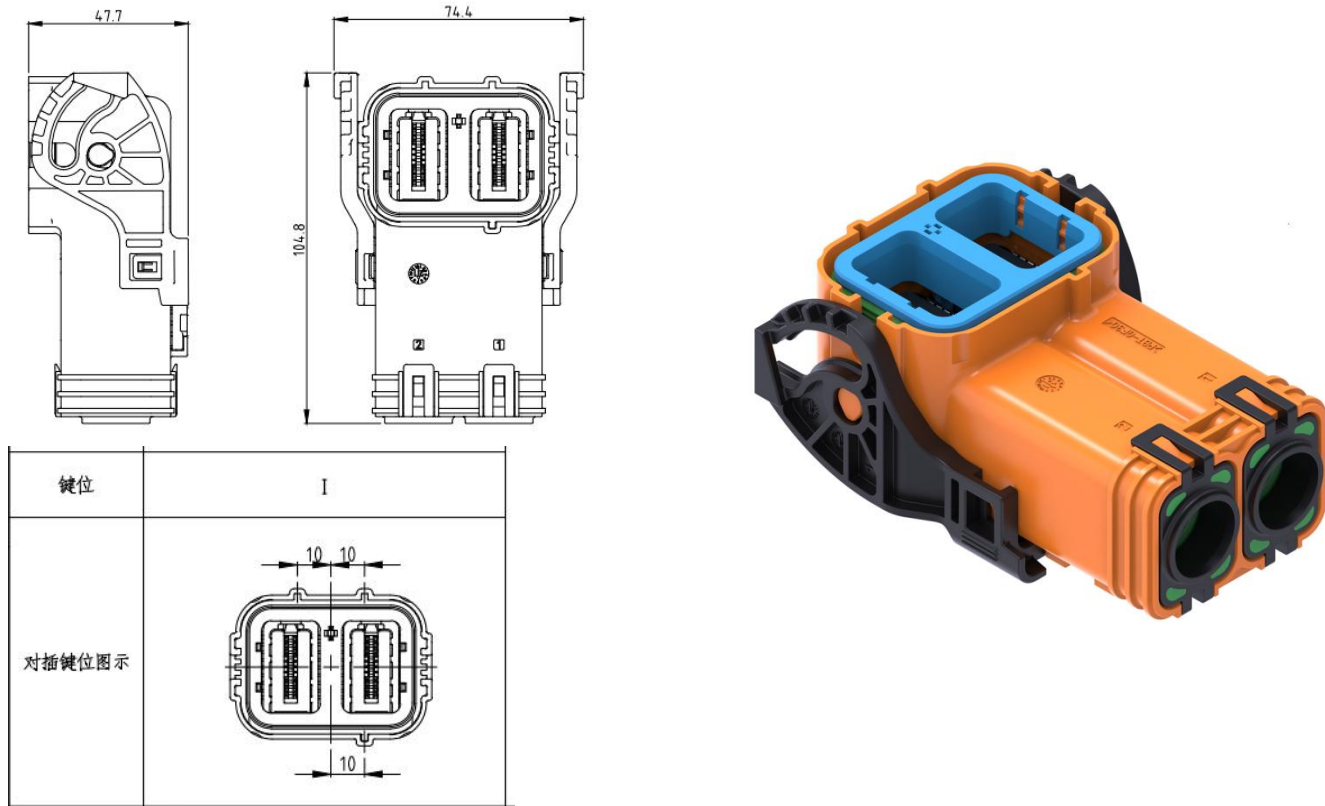
Material/Coating/Appearance	
See Parts Drawing	

Standards and Certification	
Flame retardant grade	UL94 V-0 (plastic), HB (rubber)
Environmental requirements	RoHS 2.0
Implementation Standards	QC/T 1067.1, USCAR-37, USCAR-38, USCAR-2, GB/T 30038

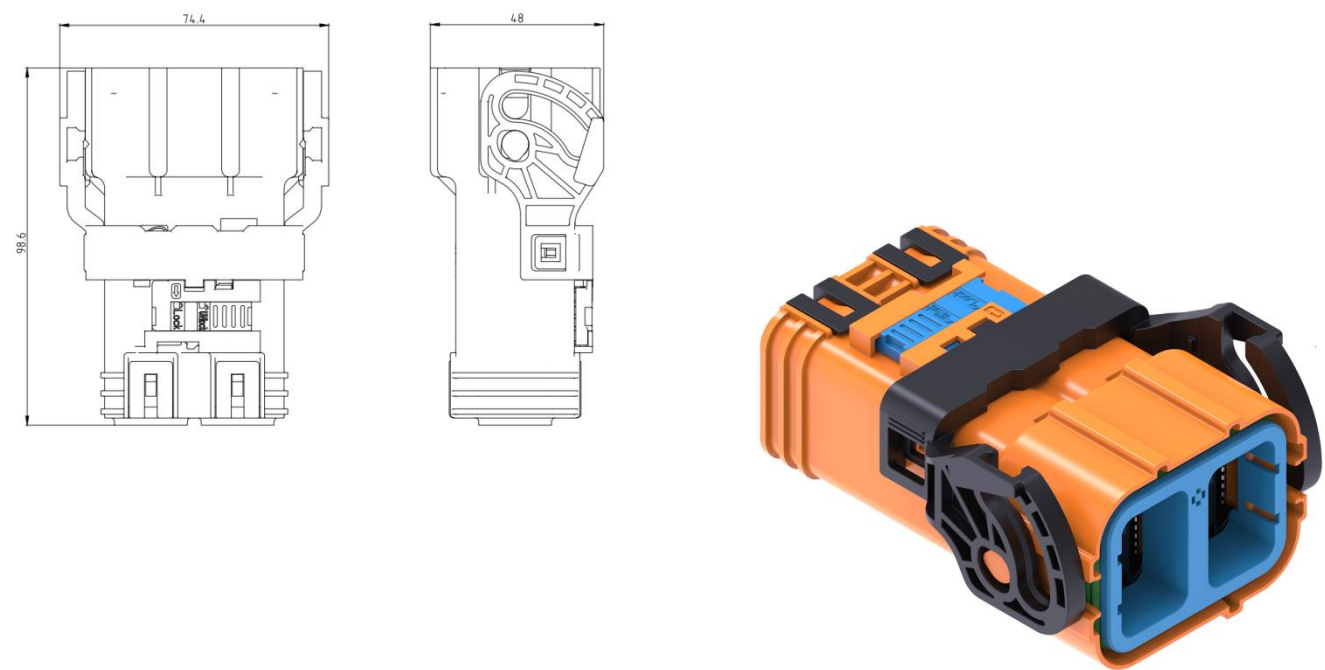
For other technical data, please refer to the DV/PV test report

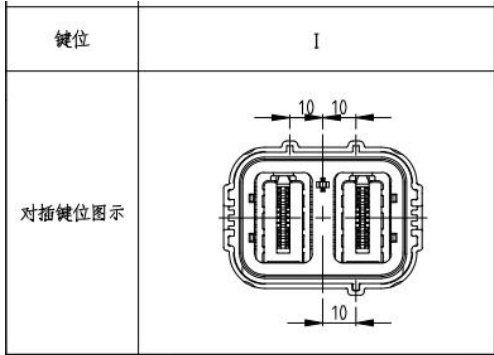
• Dimensions

YGEV4-S2PW series plug assembly appearance (tolerance not specified: ± 0.5)

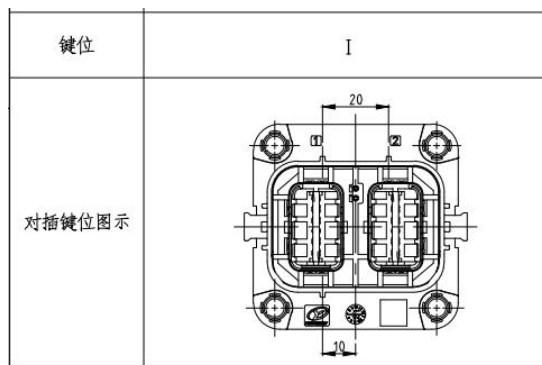
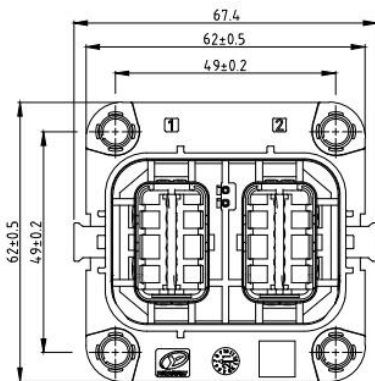
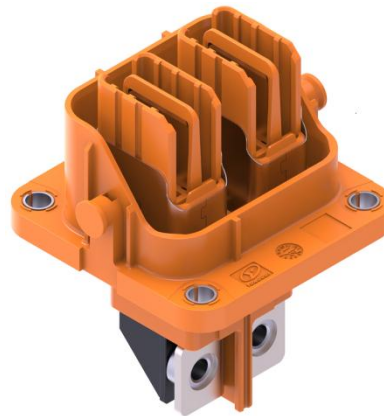
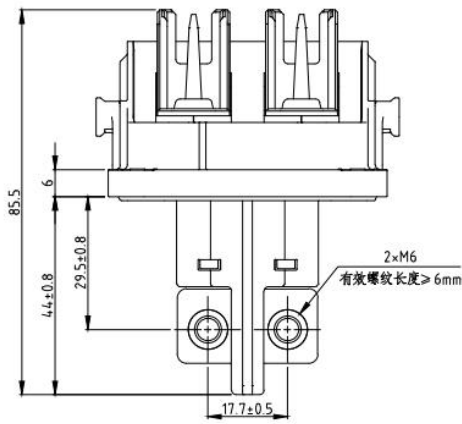


YGEV4-S2P series plug assembly appearance (tolerance not specified: ± 0.5)



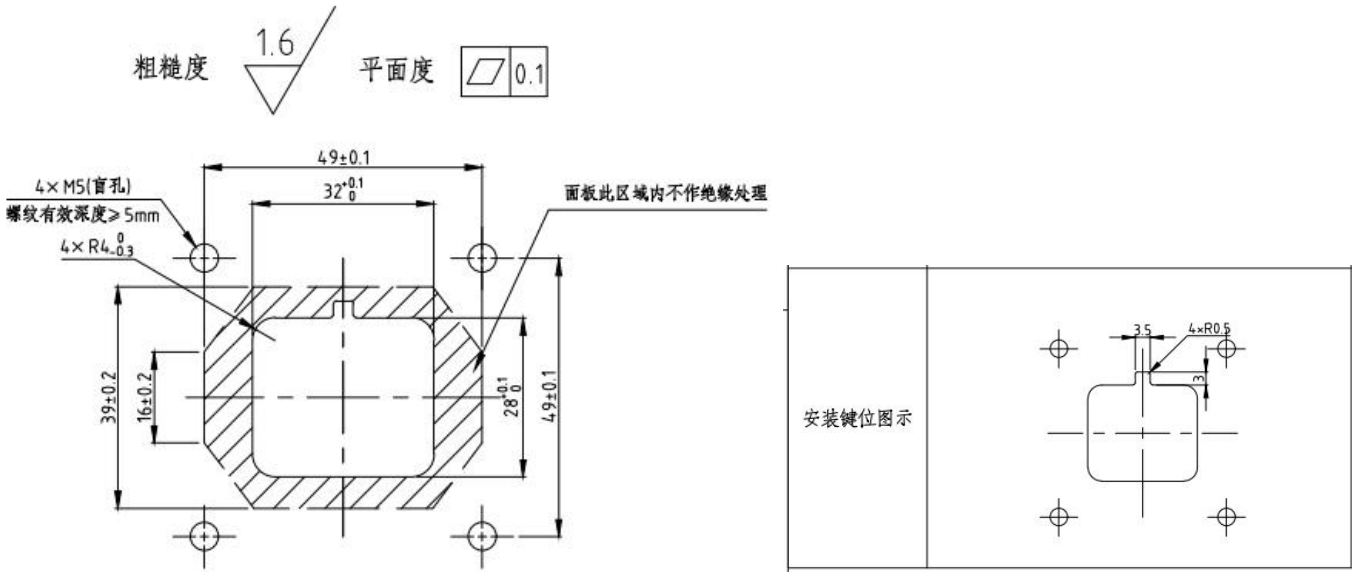


YGEV4-P2RA1 series receptacle assembly appearance (tolerance not specified: ± 0.5)

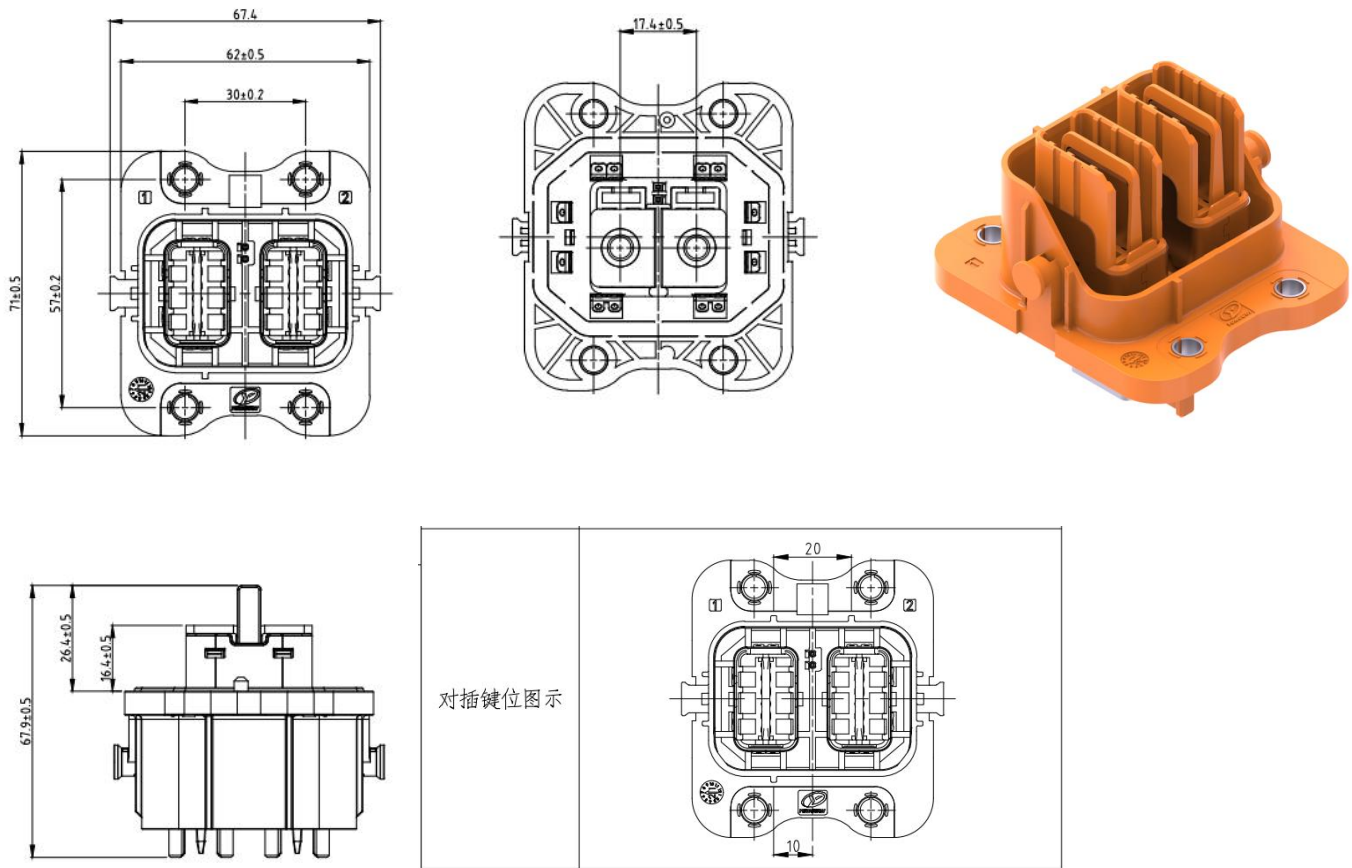


YGEV4-P2RA1 series receptacle installation hole dimensions (tolerance not specified: ± 0.1)

推荐安装面板尺寸：2mm ≤ 面板厚度 ≤ 5mm

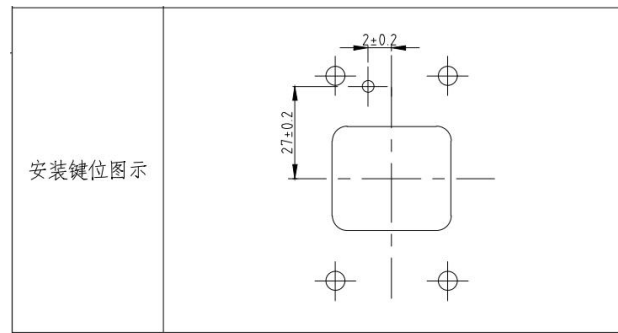
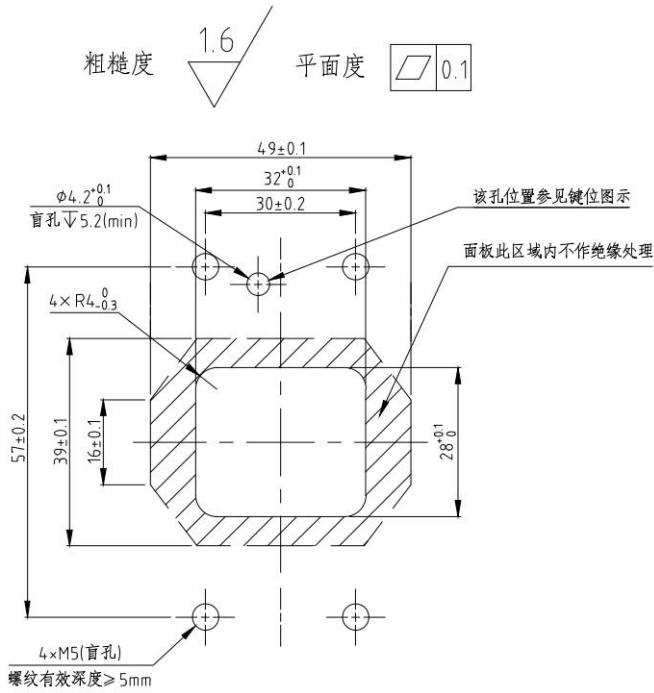


YGEV4-P2RA2 series receptacle assembly appearance (tolerance not specified: ±0.5)

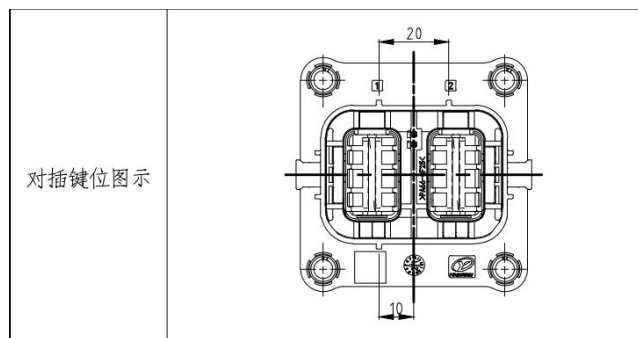
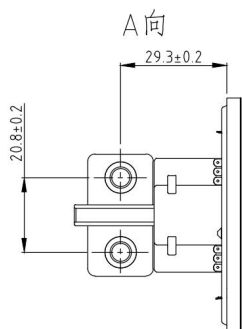
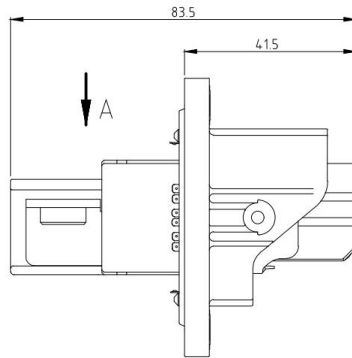
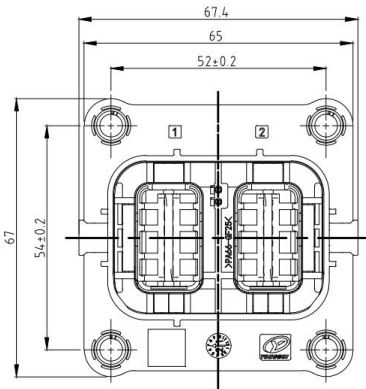


YGEV4-P2RA2 series receptacle installation hole dimensions (tolerance not specified: ± 0.1)

推荐安装面板尺寸：2mm ≤ 面板厚度 ≤ 5mm



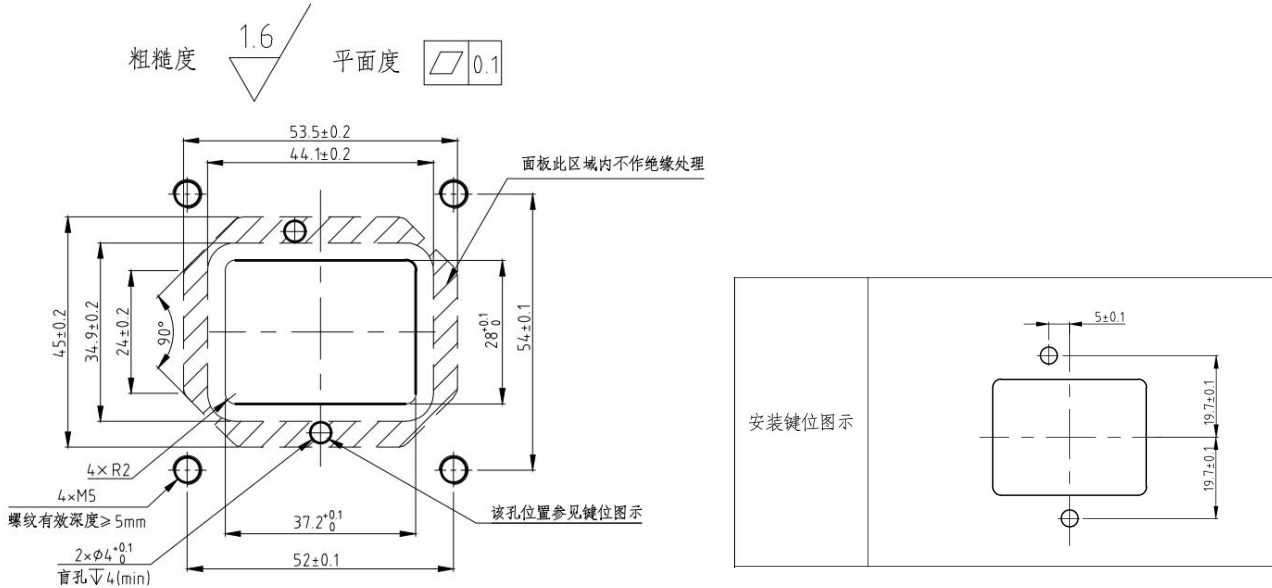
YGEV4-P2RA4 series receptacle assembly appearance (single-ended waterproof) (tolerance not specified: ± 0.5)



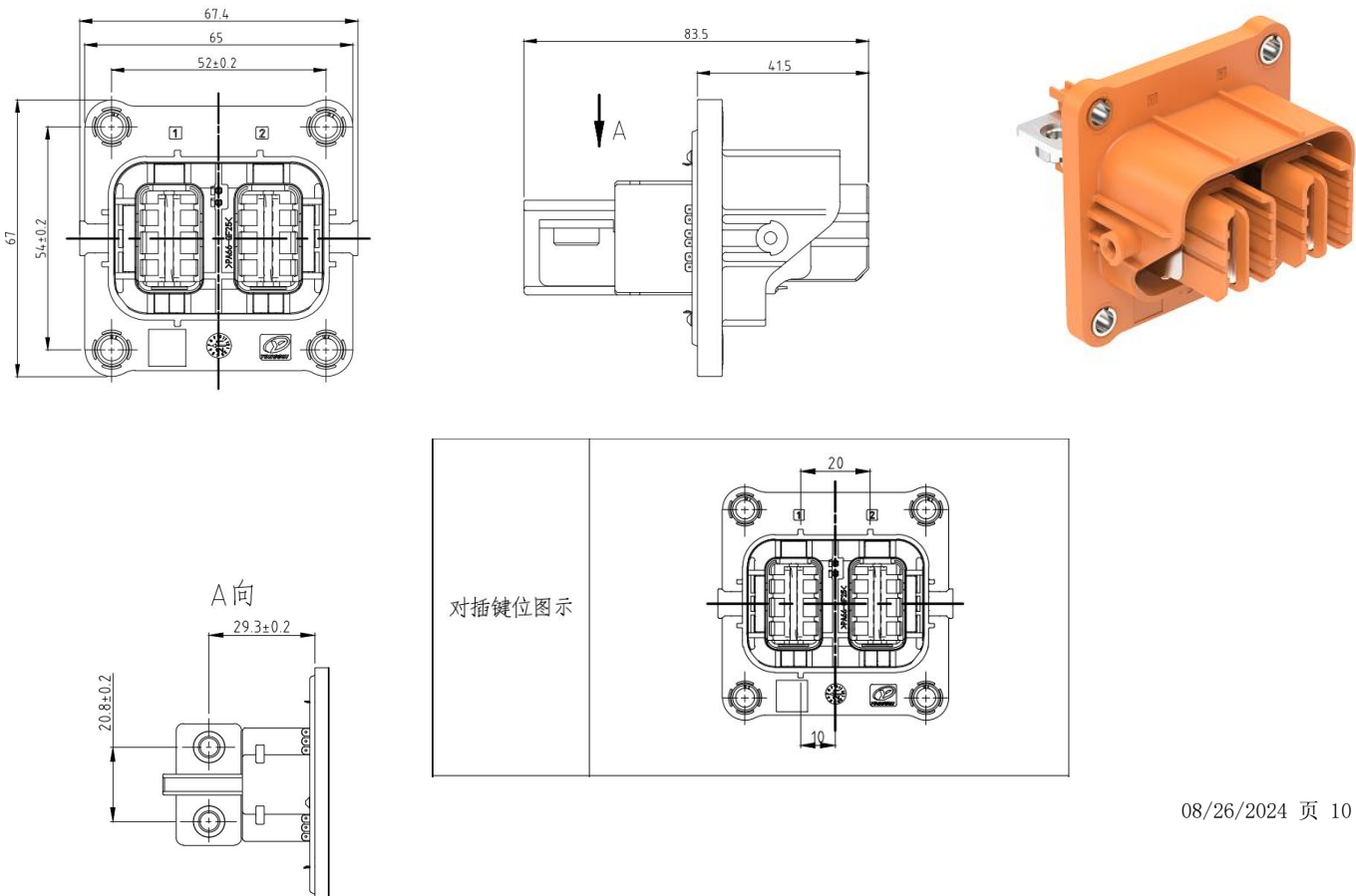
YGEV4-P2RA4 series receptacle installation opening dimensions (single-ended waterproof) (tolerance not specified: ± 0.1)

安装开孔尺寸

推荐安装面板尺寸： $2\text{mm} \leq \text{面板厚度} \leq 5\text{mm}$



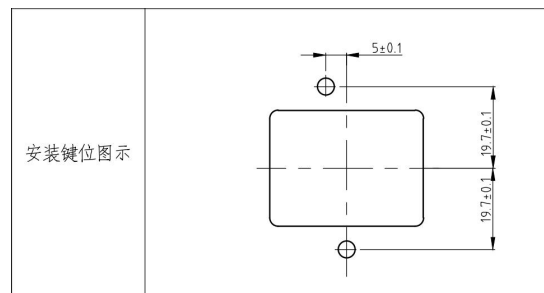
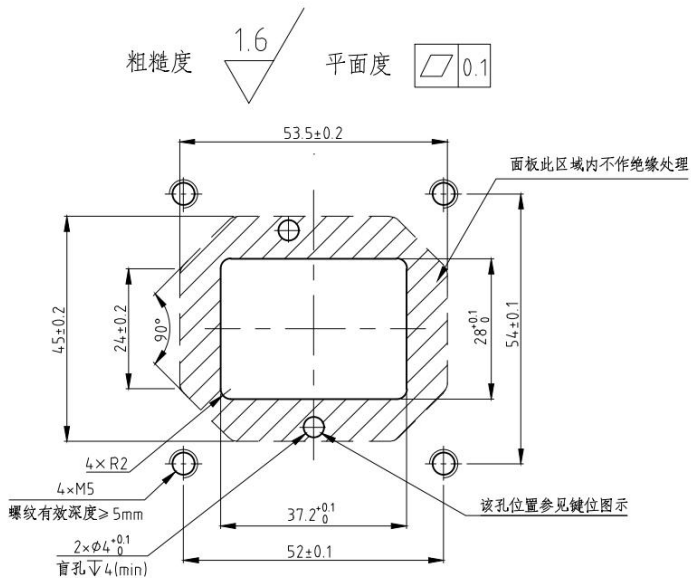
YGEV4-P2RA5 series receptacle assembly appearance (tolerance not specified: ± 0.5)



YGEV4-P2RA5 series receptacle installation hole dimensions (tolerance not specified: ± 0.1)

安装开孔尺寸

推荐安装面板尺寸：2mm ≤ 面板厚度 ≤ 5mm



• Installation Introduction

Special tools	
Removal tools	/
Needle feeding tool	/
Crimping tools	/
Other Tools	/

• Store

Packaging Storage/Transportation Instructions	
Storage requirements	Contact parts (gold-plated, silver-plated) must be stored separately, kept neat, clean and ventilated. The storage environment should be controlled at a humidity of $\leq 60\%$ and a temperature of 5 ~ 30°C. Reference shelf life 6 months
Transshipment requirements	During packaging, transportation, transfer, production and assembly, the terminals should be protected from collision, contact with corrosive gases and liquids, and direct contact with hands, etc., to ensure that the terminal contact surface is in good condition.