	product name	YGC998C electrical connector	File No	
	Product number	YG998C electrical connector	Version	S 0.1

YG C998C electrical connector


Technical Specification

Compilation/Date Wang Pingliang 2022.05.10

Review/Date Chen Yuanxin 2022.05.10

Approval/Date Xiang Xiaodong 2022.05.10

Form Number	department	page number
J3-7.3-48	Institute of Energy and Information Technology	page 12 of 1

	product name	YGC998C electrical connector	File No	
	Product number	YG998C electrical connector	Version	S 0.1


Changes and Revisions

<input type="checkbox"/> Change <input type="checkbox"/>	date	Change or revise major	Modified/Revise	approver
<input type="checkbox"/> Change <input type="checkbox"/>	2022.05.10	Add product storage	Wang Pingliang	Chen Yuanxin
<input type="checkbox"/> Change <input type="checkbox"/>				
<input type="checkbox"/> Change <input type="checkbox"/>				

send

serial	Name	department	Position	Contact information
1				
2				
3				
4				
5				
6				
7				
8				
9				
10				
11				
12				
13				
14				
15				
16				
17				
18				
19				
20				

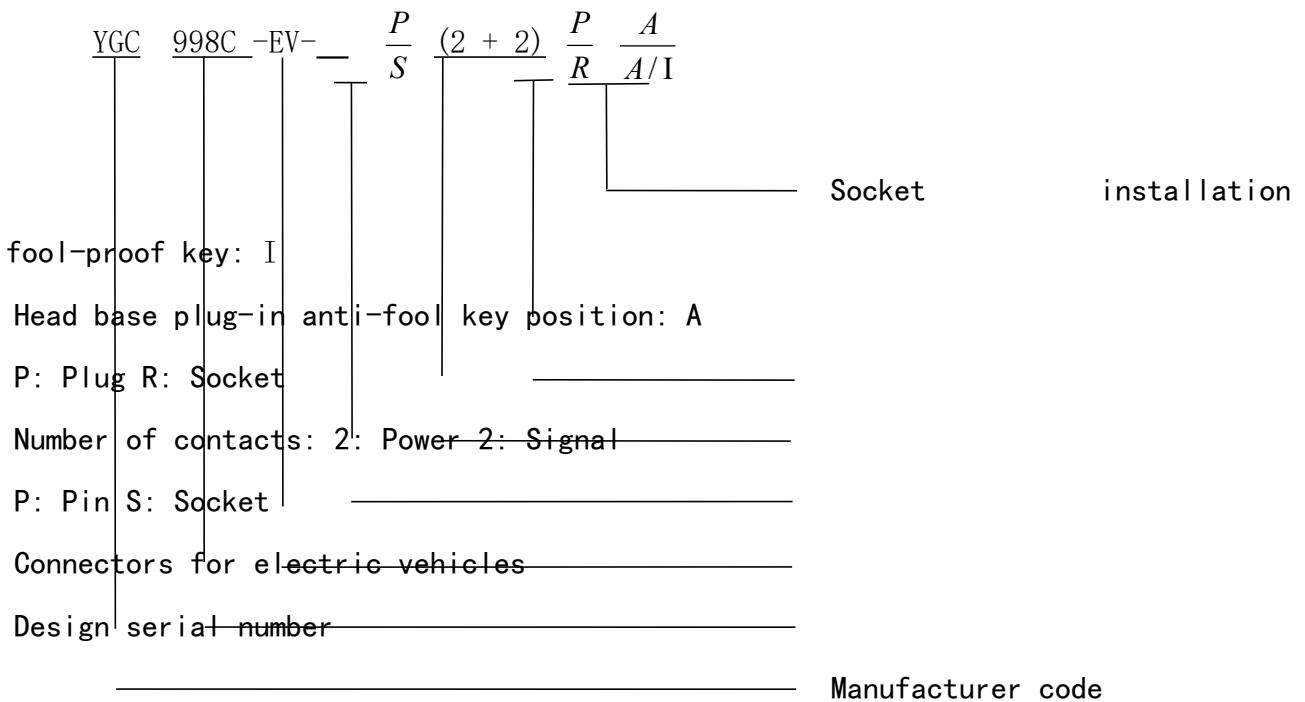
Form Number	department	page number
J3-7.3-48	Institute of Energy and Information Technology	page 12of 2

	product name	YGC998C electrical connector	File No	
	Product number	YG998C electrical connector	Version	S 0.1

1. Material information

1.1 Connector model:


YGC998C series electrical connector naming rules:



1.2 Material introduction:

YG99C high-voltage shielded electrical connector is a newly developed high-performance product developed by our company in the market. It has

Form Number	department	page number
J3-7.3-48	Institute of Energy and Information Technology	page 12 of 3

	product name	YGC998C electrical connector	File No	
	Product number	YG998C electrical connector	Version	S 0.1

the characteristics of simple operation, reliable performance, and simple appearance. The product has functions such as secondary locking, high-voltage interlocking, anti-electric shock protection, 360-degree omnidirectional shielding, and independent waterproofing of the socket. It can well meet the requirements for the use of electrical connectors for new energy vehicles. It uses changes in the position of the keys to Achieve differentiation and foolproofing of different models, and meet the needs of multiple models of the same specification.


Some parts of the connector can be selected as needed:

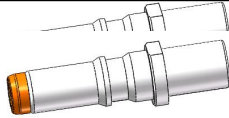
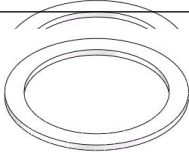
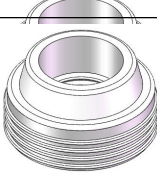
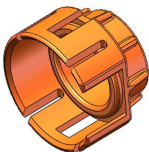


1.3 Material procurement information

serial number	Plug model	Socket model	Outgoing method	Socket fool-proof of key	Plug-in fool-proof key position
1	YGC998C-EV-P (2+2) PA	YGC998C-EV-S (2+2) RA 1/ I	Copper row (180°)	Type I	Type A
2	YGC998C-EV-P (2+2) P B	YGC998C-EV-S (2+2) R B1/ II	Copper row (180°)	Type II	Type B

1.4 A detailed list of parts that need to be purchased separately:


Form Number	department	page number
J3-7.3-48	Institute of Energy and Information Technology	page 12of 4


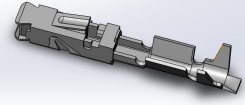
	product name	YGC998C electrical connector	File No	
	Product number	YG998C electrical connector	Version	S 0.1

Plug accessories (50mm2-LV216)				
Plug accessories (50mm2)				
serial number	serial number	name	picture	Remark
1	113020101118	YG998C pin assembly Bφ		One plug for 2
1	113020101118	YG998C pin assembly Bφ 12-Silver		One plug for 2
2	114039803053	YG998B sealing body block		One plug for 2
2	114039803053	YG998B sealing body block		One plug for 2
3	114050501297	YG998B plug sealing body-C		One plug for 2
3	114050501314	YG998B plug sealing body-50mm2		One plug for 2
4	114060102475	YG998C tail clip-50mm2 (216 shielded)		One plug for 2
4	114069804136	YG998B shielded clip-50mm2 (shielded)		One plug for 2
5	113021600019	YG998C plug shielding sleeve		One plug for 2
5	113029800486	YG998C plug shielding sleeve assembly B (50mm2)		One plug for 2
6	114029801461	YG998B shielding cushion		One plug for 2
6	114029801724	YG998C shielded casing (50mm2)		One plug for 2

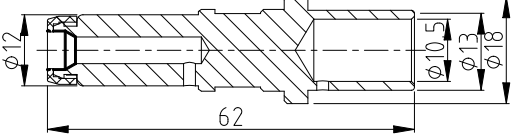
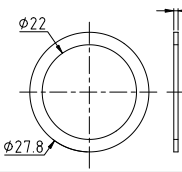
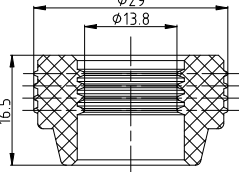
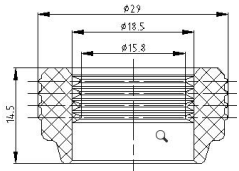
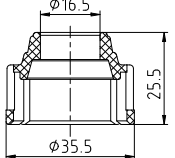
Socket accessories

Form Number	department	page number
J3-7.3-48	Institute of Energy and Information Technology	page 12 of 5


	product name	YGC998C electrical connector	File No	
	Product number	YG998C electrical connector	Version	S 0.1

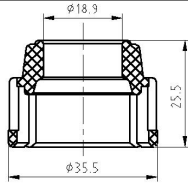
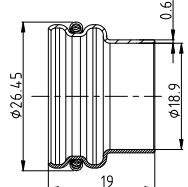
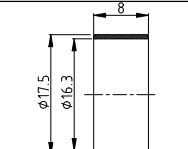
serial number	serial number	name	picture	Remark
1	114069801393	YG722 signal locking slider		One socket is equipped with 1
2	110010400124	YG722 signal terminal		One socket with 2

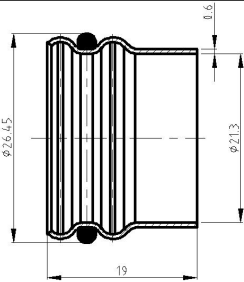
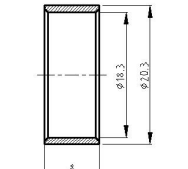
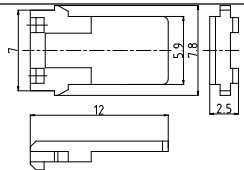
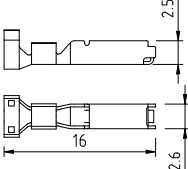
1.5 Dimensions of separately purchased parts

part code	Part Name	Dimensions
113020101118	YG998C pin assembly B ϕ 12-Silver	
114039803053	YG998B sealing body block	
114050501297	YG998B plug sealing body-C	
114050501314	YG998B plug sealing body-50mm2	
114060102475	YG998C tail clip-50mm2 (216 shielded)	

Form Number	department	page number
J3-7.3-48	Institute of Energy and Information Technology	page 12 of 6


	product name	YGC998C electrical connector	File No	
	Product number	YG998C electrical connector	Version	S 0.1

114069804136	YG998B tail clip-50mm2 (shielded)	
113021600019	YG998C plug shielding sleeve assembly A	
114029801461	YG998B shielding cushion cover (LV216-50mm2)	

part code	Part Name	Dimensions
113029800486	YG998C plug shielding sleeve assembly B (50mm2)	
114029801724	YG998C shielded inner casing (50mm2)	
114069801393	YG722 signal locking slider	
110010400124	YG722 signal terminal	

2. Technical parameters

Form Number	department	page number
J3-7.3-48	Institute of Energy and Information Technology	page 12 of 7

	product name	YGC998C electrical connector	File No	
	Product number	YG998C electrical connector	Version	S 0.1

2.1 Electrical parameters

■ Rated operating current:

Classification	Current (A)	Adapter cable (mm ²)	Cable outer diameter (mm)	Remark
power	200	50	$\phi 15.8^{0}_{-0.6}$	Shield LV216
	200	50	$\Phi 17.5 \pm 0.5$	shield
Signal	5	0.75	1.5 ± 0.15	Unshielded

■ Rated working voltage: 1000 V (power), 24 V (signal);

Explanation: According to GB/T16935.1-2008 (IEC60664-1:2007), pollution level 2, overvoltage category III, altitude below 2000m.

■ Withstand voltage: 3817 V DC (power), 1000 V DC (signal);

■ Insulation resistance: $\geq 500 \text{ M}\Omega$ (power), $\geq 500 \text{ M}\Omega$ (signal) (normal);

■ HVIL: Yes.

2.2 Mechanical parameters

■ Mechanical life: 50 times;

■ Protection level: IP67&IP6K9K, IPXXB (unmatched state), the socket alone is IP67;


2.3 Working environment

■ Working temperature: $-40^{\circ}\text{C} \sim +125^{\circ}\text{C}$;

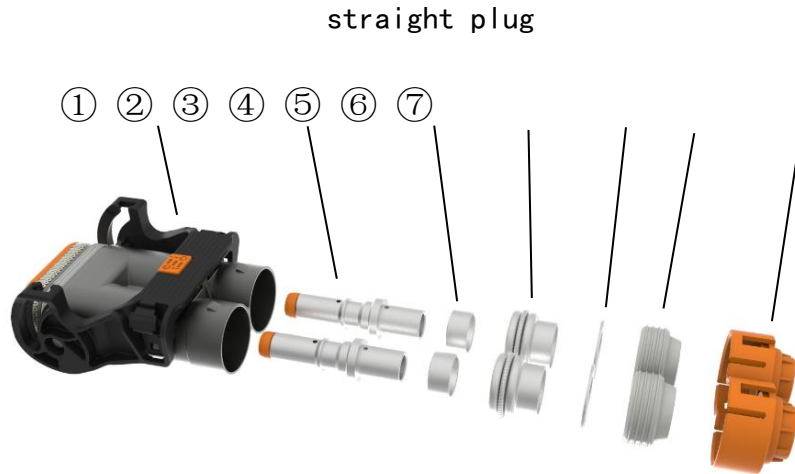
■ Relative humidity: 95% (at 40°C);

■ Flame retardant grade: UL94 V-0;

Form Number	department	page number
J3-7.3-48	Institute of Energy and Information Technology	page 12 of 8

	product name	YGC998C electrical connector	File No	
	Product number	YG998C electrical connector	Version	S 0.1

3. Supply details




serial number	Part Name	quantity	serial number	Part Name	quantity
①	Plug assembly	1	⑤	Sealing body block	2
②	Pin assembly	2	⑥	Sealing body	2
③	Shielding gasket cover	2	⑦	tail clip	2
④	Shielding kit components	2			

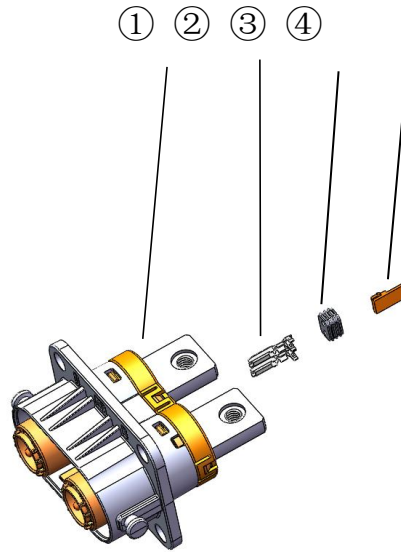
numbers 1 to 7 separately , numbers 2 to 7 separately.

Note: Serial are shipped and serial are purchased

socket

Form Number	department	page number
J3-7.3-48	Institute of Energy and Information Technology	page 12of 9

	product name	YGC998C electrical connector	File No	
	Product number	YG998C electrical connector	Version	S 0.1



serial number	Part Name	quantity	serial number	Part Name	quantity
①	Socket assembly	1	③	Signal sealing body	1
②	Signal terminal	2	④	signal lock block	1


numbers 1 to 4 separately , and 2 and 3 are demand.

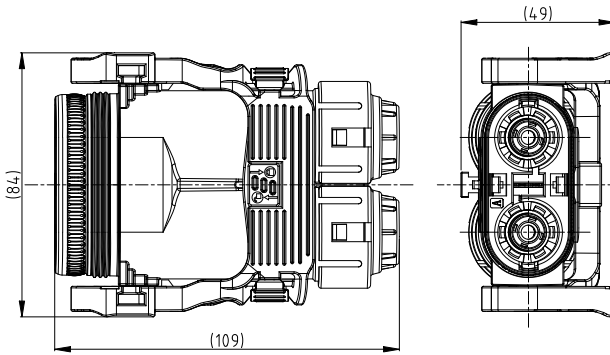
Note: Serial are shipped serial numbers purchased on

4. Overall dimensions (Note: Dimensional tolerances not noted shall be in accordance with GB/T 1804-2000 rough c)

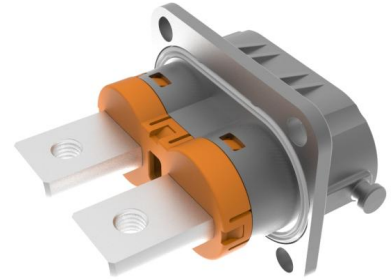
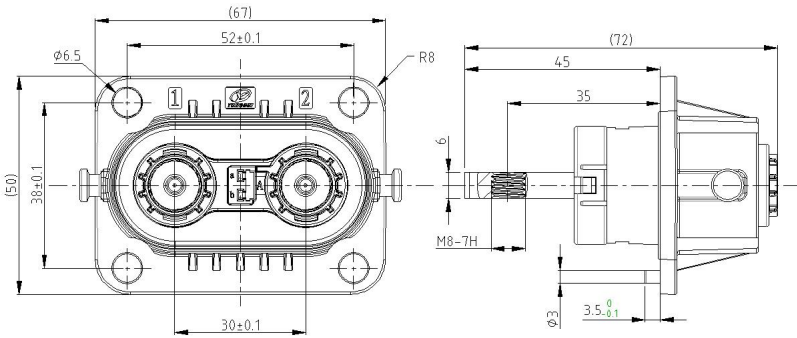
Straight plug assembly

Form Number	department	page number
J3-7.3-48	Institute of Energy and Information Technology	page 12of 10

	product name	YGC998C electrical connector	File No	
	Product number	YG998C electrical connector	Version	S 0.1




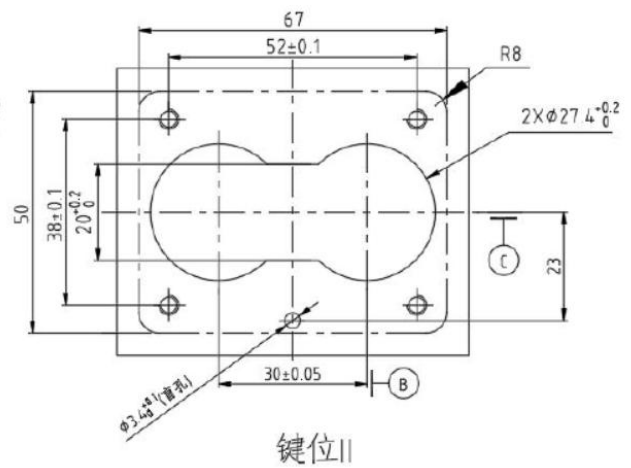
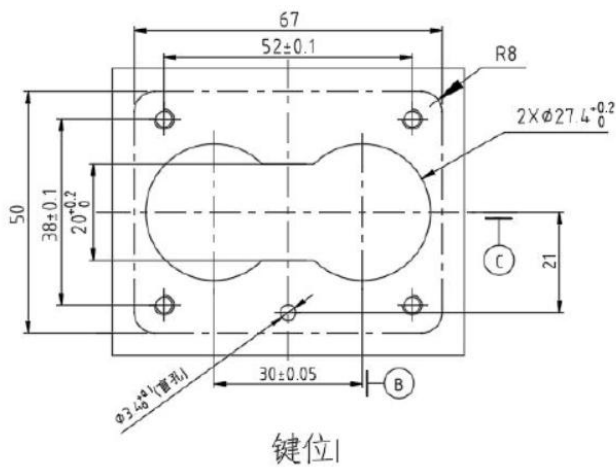
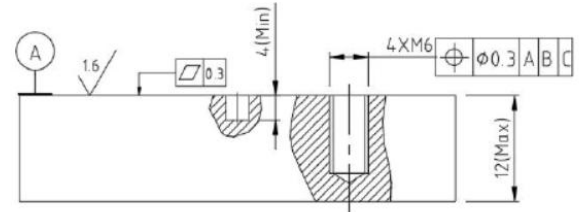
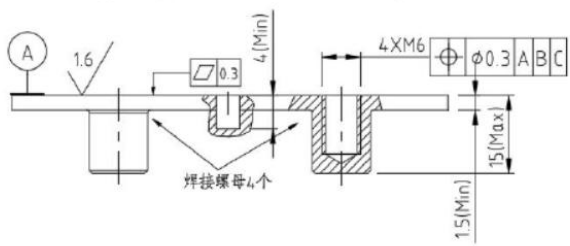
Socket assembly



5. Recommended panel thickness and installation opening size

Form Number	department	page number
J3-7.3-48	Institute of Energy and Information Technology	page 12 of 11

	product name	YGC998C electrical connector	File No	
	Product number	YG998C electrical connector	Version	S 0.1



6. Product storage conditions

6.1 The warehouse is kept neat, clean and ventilated, with relative humidity $\leq 75\%$ and temperature controlled at $-5\sim 40^{\circ}\text{C}$;

6.2 The packaging of materials is complete and dust-proof is done;

6.3 Materials shall not be placed directly on the ground (for example, due to limited turnover, in principle, the stacking period cannot exceed one hour).

week) to avoid moisture deterioration.

Form Number	department	page number
J3-7.3-48	Institute of Energy and Information Technology	page 12 of 12